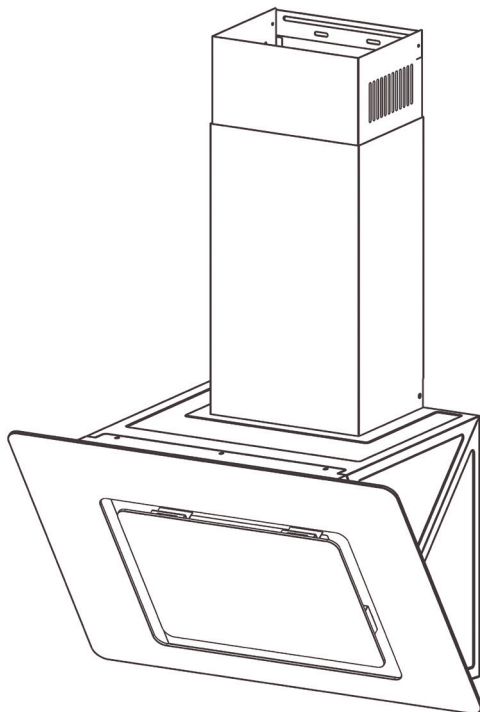


STATESMAN

kitchen appliances



ACH160BL
60CM ANGLED CHIMNEY COOKER HOOD
BLACK GLASS

Instruction Manual

PO number:

Please read these instructions carefully before use and retain for future reference.
Before switching on your appliance – Always check for any damage that may have been caused in transit.

CONTENTS

Safety Instructions.....	3-5
Appliance Overview.....	5-6
Installation	7-11
Operating Instructions.....	11
Cleaning and Maintenance.....	12-13
Fuse Replacement	13
Troubleshooting.....	14
Service & Disposal Information	15

Thank you for purchasing our product. Before using this product please study this entire Instruction Manual carefully. Keep this manual in a safe place for future reference. Ensure that other people using the product are familiar with these instructions as well.

SAFETY INSTRUCTIONS

- The installation and repair work must be undertaken by a qualified and competent person.
- The manufacturer disclaims all liability for any damage or injury caused as a result of not following the instructions of installation.
- The cooker hood supply should be 220V-240V~50Hz.
- Children less than 8 years of age shall be kept away unless continuously supervised.
- This appliance can be used by children aged from 8 years and above and persons with reduced physical, sensory or mental capabilities or lack of experience and knowledge if they have been given supervision or instruction concerning use of the appliance in a safe way and understand the hazards involved. Children shall not play with the appliance. Cleaning and user maintenance shall not be made by children without supervision.
- Cleaning and user maintenance shall not be made by children without supervision.
- When the hood is in repair, maintenance, replacement of parts, please pull out the plug to ensure the safety of people.
- Plug the power cord into the power socket outlet with earthing continuity terminal.
- The cooker hood is for home use only, not suitable for commercial purposes.
- The cooker hood and its filter mesh should be cleaned

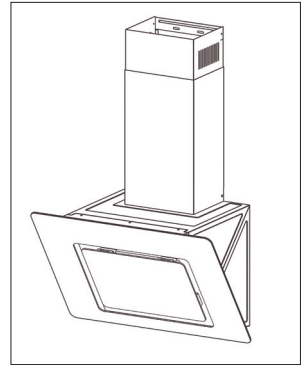
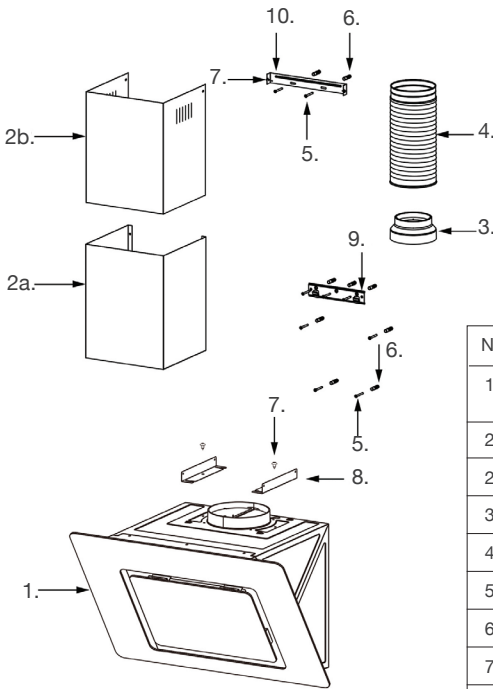
regularly according to the instructions.

- Do not use open flame, or allow oil to go beneath the appliance.
- Do not check that status of the filters whilst the cooker hood is operating.
- Do not touch the light bulb within half an hour after appliance is used.
- If any fault occurs with the appliance, please call after-sale service department.
- Please keep the kitchen well ventilated when in use.
- Prior to any maintenance or cleaning, ensure the power is off.
- Constantly check food frying to avoid the overheating of oil which may become a fire hazard.
- If the supply cord is damaged, it must be replaced by the manufacturer, service agent or similarly qualified person in order to avoid a hazard. The replaced power cord should be provided by manufacturer or seller.
- If the plug or cord is damaged, please call after-sale service centre.
- There is a fire risk if cleaning is not carried out in accordance with the instructions.
- In case of a damaged connecting wire, please refer to the manufacturer, after-sale service personnel or other qualified technicians.
- Use the unit according to the instructions to avoid fire hazard.
- There shall be adequate ventilation of the room when the range hood is used at the same time as appliances burning gas or other fuels.
- There is a fire risk if cleaning is not carried out in accordance with the instructions.
- Do not flambé under the range hood
- The air must not be discharged into a flue that is used for exhausting fumes from appliances burning gas or other fuels.

- To protect the main body from corrosion of the long term accumulation of dirt, the cooker hood should be cleaned with hot water & non-corrosive detergent every 2 months.

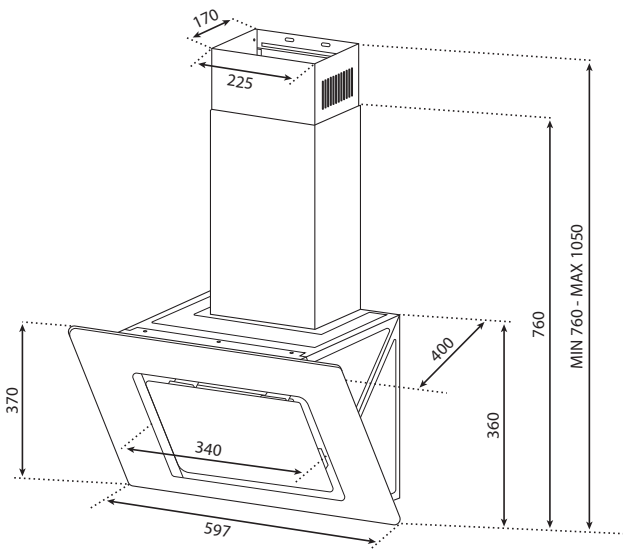
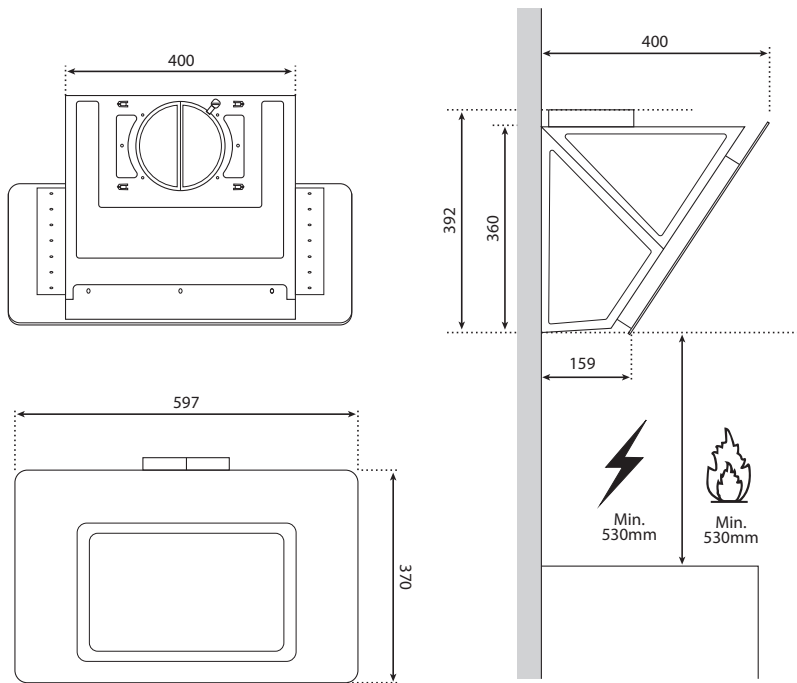
CAUTION: Accessible parts may become hot when used with a cooking appliance

APPLIANCE OVERVIEW



No.	Qty.	Component
1.	X1	Hood Body, complete with: Controls, Light, Blower, Filter.
2a.	X1	Lower Decorative Chimney (optional)
2b.	X1	Upper Decorative Chimney (optional)
3.	X1	Flange (optional)
4.	X1	Exhaust Pipe (optional)
5.	X7	Screws 5 x 50
6.	X7	Wall Plugs
7.	X6	Screws 4.2 x 9.5
8.	X2	Mounting Bracket
9.	X1	Hood fixing bracket (optional)
10.	X1	Chimney fixing bracket (0/1 optional)

Dimensions



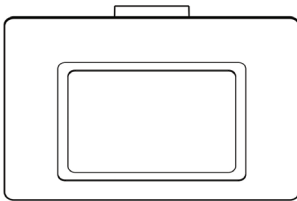
- Mark a point (2) on the horizontal line B, 80 (135 optional) mm to the right of the vertical reference line.
- Repeat this operation on the other side and on the vertical reference line, checking that the three marks are leveled.
- Mark a point (3) on the horizontal line C, 112.5 mm to the right of the vertical reference line.
- Repeat this operation on the other side, checking that the two marks are on the same horizontal line.

Fix the brackets (Optional):

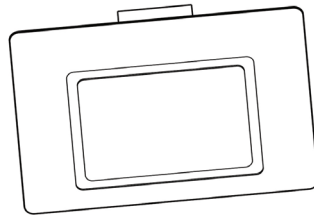
- Drill at the marked points (1) (2) (3), using a $\phi 10$ mm drill bit.
- Insert the Wall Plugs **6** into the holes (1) (2) (3).
- Fix the hood fixing bracket **9** with 3 screws **5** (5 x 50) supplied with the hood.
- Fix a Chimney fixing bracket **10** with X2 screws **5** (5 x 50) supplied with the hood.

Hook the hood body:

- Open the panel.
- Remove the Metal grease filter using the handles provided.
- Hook the hood body to the bracket **9**.
- Level the hood body itself.



Right



Wrong

- From the inside of the hood body, fix the screws **7** to Wall Plugs **6** at the points (3).
- Fit the filter into the hood.
- Close the panel.

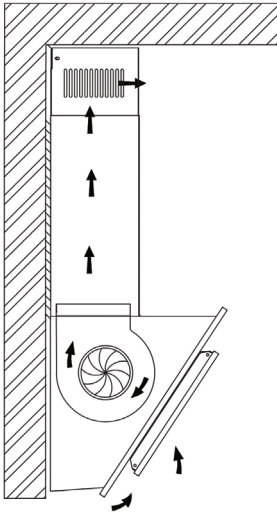
Choose a venting mode

There are two venting modes – extraction-air mode and recirculation mode. Before installing select one mode.

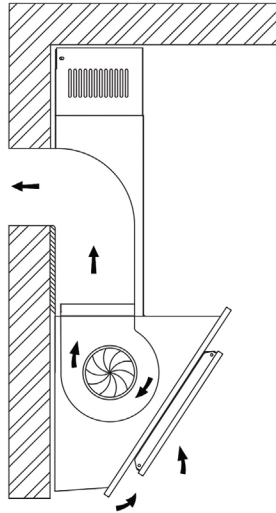
Extraction-air mode, the air is discharged out of the house by a pipe.

Recirculation mode, the air is purified and discharged into the house through two rows of holes on the adjustable decorative cover.

Note: For recirculation mode no pipe is needed; instead install a carbon filter. Suction power will be lowered when a carbon filter is attached.



Recirculation mode



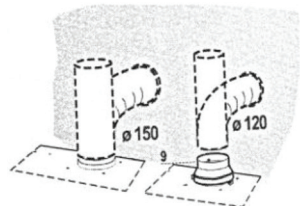
Extraction-air mode

Connections

DUCTED VERSION AIR EXHAUST SYSTEM

When installing the ducted version, connect the hood to the chimney using either a flexible or rigid pipe ϕ 150 or ϕ 120 mm, the choice of which is left to the installer.

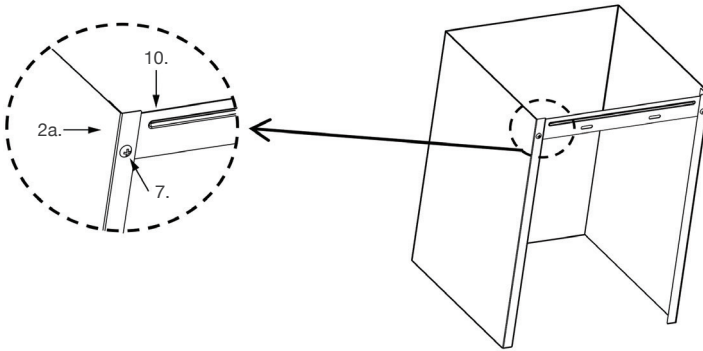
- To install a ϕ 120 mm air exhaust connection, insert the reducer flange 3 on the hood body outlet.
- Fix the pipe 4 in position using sufficient pipe clamps (not supplied).
- Remove possible charcoal filters.



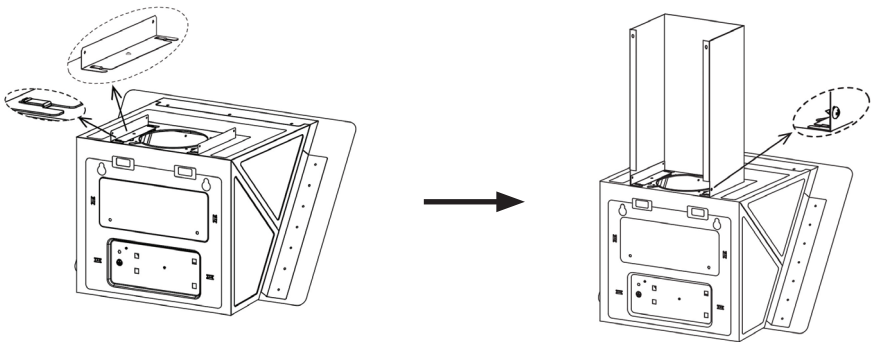
Chimney Assembly

The chimney can only be installed with exhausting hood. Lower Decorative Chimney

- Fix a Chimney fixing bracket **10** onto the Lower Decorative Chimney with X2 screws **7** (4.2 x 9.5) supplied with the hood.

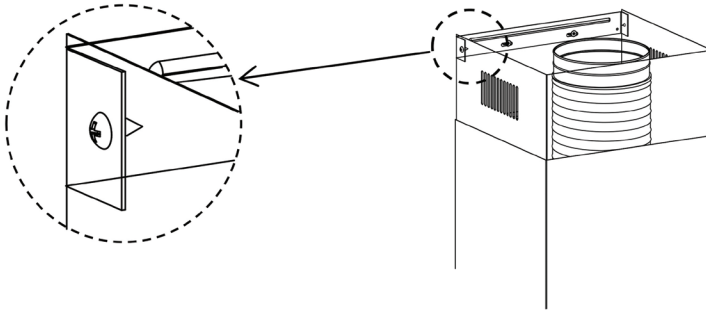


- Hook the brackets **8** onto the hood body, and fix them with X2 screws **7** (4.2 x 9.5), making sure that they are well seated.
- Slightly widen the two sides of the lower chimney and hook then between the brackets **8**, fix the lower chimney onto the brackets **8** with X2 screws **7** (4.2 x 9.5) supplied with the hood.

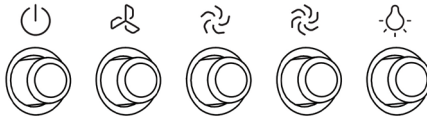







Upper Decorative Chimney

- Slightly widen the two sides of the upper chimney and hook them between the wall and the bracket **10** which is fixed on the Lower Decorative Chimney.
- Fix the upper chimney onto the bracket **10** with X2 screws **7** (4.2 x 9.5) supplied with the hood.



OPERATING INSTRUCTIONS



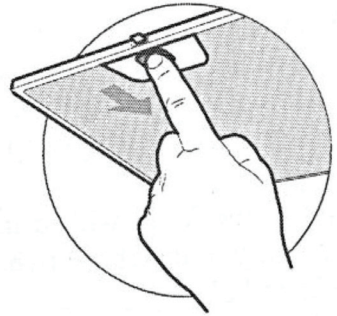
	OFF MOTOR SWITCH: Press on this switch to stop the motor operation.
	SPEED SWITCH: Press on this switch, the motor runs at LOW speed.
	SPEED SWITCH: Press on this switch, the motor runs at MEDIUM speed.
	SPEED SWITCH: Press on this switch, the motor runs at HIGH speed.
	ON/OFF LIGHTING SWITCH: Press on this switch to turn on the lights, and press again to turn them off.

CLEANING & MAINTENANCE

Grease Filters:

Cleaning Metal Self-Supporting Grease Filters


- The filters must be cleaned every 2 months of operation, or more frequently for particularly heavy usage, and can be washed in a dishwasher.
- Pull the comfort panels to open them.
- Remove the filters one by one pushing them towards the back side of the hood unit and simultaneously pulling downwards.
- Any kind of bending of the filters has to be avoided when washing them. Before fitting them again into the hood make sure that they are completely dry. (The color of the filter surface may change throughout the time but this has no influence on the filter efficiency).
- When fitting the filters into the hood pay attention that they are mounted in correct position the handle facing outwards.
- Close the comfort panel.

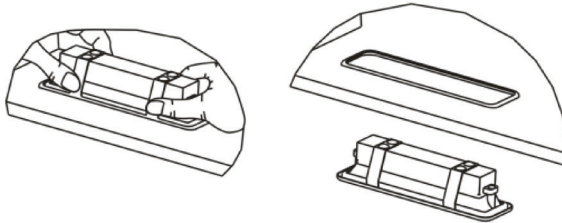


Bulb Replacement

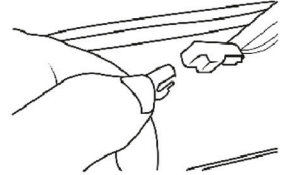
1.5W LED light.

- Switch off the extractor hood and isolate the extractor hood by pulling out the mains plug or switching off the fuse.
- Remove the grease filter.
- Remove the light by levering its fitting from the hood body (this may require pressure or force to be applied).

	Max Power	Voltage	Picture	Lamp Cap	ILCOS D code
Square / Diameter : 33.2mm x 120mm	1.5W	220-240V~		---	DBS-1.5- H-33/2/120



- Disconnect the connector of the light.
- Replace the light with a new one of the same type, making sure that you connect the light with the light cable correctly.
- Reinstall the light back to the hood body.



MAINS PLUG FUSE REPLACEMENT

Earth (green/yellow)



Fuse Replacement (Class I)

This appliance must be earthed. Remove the central screw on the plug and open the shell. Take out the fuse and replace with a new fuse of the same Amp. Install the shell again and tighten the screws.

TROUBLESHOOTING

If you are having problems with your appliance, please use our troubleshooting guide below. If you are unable to resolve the issue using this guide please ring our Customer Service Department on 0844 848 5861. Please have the model code and purchase information available.

Note: Any repairs should be done by a qualified technician.

Fault	Cause	Solution
Light on, but motor does not work	The blades are blocked	Remove blockage
	The capacitor is damaged	Replace capacitor
	The motor is damaged	Replace motor
	The internal wiring of motor is cut off/disconnected. An unpleasant smell may produce	Replace motor
Both light and motor do not work	Apart from the above mentioned, check the following:	
	Light damaged	Replace lights
	Power cord loose	Connect the wires as per the electrical diagram
Vibration	The blade, if damaged, can cause vibrating	Replace the blade
	The motor is not tightly fastened	Fasten the motor tightly
	The cooker hood is not tightly fixed	Fix the cooker hood tightly
Insufficient Suction	The distance between the cooker and the cooker top is too large	Readjust the distance
	Too much ventilation from open doors or windows	Choose a new place to install the appliance or close some doors/windows
The machine inclines	The fixing screws are not tight enough	Tighten the fixing screw and make it horizontal
	The hanging screws are not tight enough	Tighten the hanging screw and make it horizontal

Disposal of Old Electrical Appliances



The European Directive 2012/19/EU on Waste Electrical and Electronic Equipment (WEEE), requires that old household electrical appliances must not be disposed of in normal unsorted municipal waste.

Old appliances must be collected separately in order to optimise the recovery and recycling of the materials they contain and reduce the impact on human health and the environment.

The crossed out “wheeled bin” symbol on the product reminds you of your obligation, that when you dispose of the appliance it must be separately collected. Consumers should contact their local authority or retailer for information concerning the correct disposal of their old appliance.

SERVICE AND SPARE PARTS

Should you experience any difficulty in using your Statesman appliance at any time, you may contact your Statesman Retailer or call our Customer Service Department on:

01473 277 508

Please have the following details ready;

- Model Name / Model Number
- Serial Number
- Date of Purchase
- Where Purchased
- Customer Name and Address including Post Code
- Contact Telephone Number
- Accurate description of the fault

Spare Parts information can be obtained by calling our Spare Parts Department on:

01473 277 508

Disclaimer: Updates to hardware components are made regularly. Therefore some of the instructions, specifications and pictures in this documentation may differ slightly from your particular situation. All items described in this guide are for illustration purposes only and may not apply to your particular situation. No legal right or entitlements may be obtained from the description made in this manual.

STATESMAN

kitchen appliances

**38 Bluestem Road,
Ransomes Europark
Ipswich, IP3 9RR**

**Castle Electrical Factors Ltd.,
Dundalk, A91 KA9R, IR**

01473 277 508

Disclaimer: Statesman operate a policy of continual improvement and development.
We therefore reserve the right to change/alter the specification and appearance of our appliances without prior notice.
All diagrams and images shown in this manual are for illustration purposes only.