

# STATESMAN

kitchen appliances

---



## BIW0814 BUILT-IN 8KG 1400RPM WASHING MACHINE

# Instruction Manual

Please read these instructions carefully before use and retain for future reference.  
Before switching on your appliance – Always check for any damage that may have  
been caused in transit.

## CONTENTS

<b>Important Safety Instructions</b> .....	3-5
<b>Product Overview</b> .....	6
<b>Technical Specification</b> .....	6
<b>Product Fiche</b> .....	7
<b>Installation</b> .....	8-12
- Unpacking the Washing Machine .....	8
- Remove Transport Bolts .....	8
- Leveling the Washing Machine .....	8
- Connect the Water Supply Hose .....	8
- Built-in Installation .....	9-12
<b>Operating Instructions</b> .....	13-23
- Calibration.....	13
- Before Each Wash .....	14
- Detergent Dispenser .....	15
- Detergent Recommendation.....	16
- Control Panel .....	17
- Programs .....	18-21
- Functions .....	22-23
<b>Cleaning &amp; Maintenance</b> .....	24-25
<b>Troubleshooting Guide &amp; Error Codes</b> .....	26
<b>Disposal Information</b> .....	27


## SAFETY INSTRUCTIONS

Please read the following safety information thoroughly and follow it strictly to minimize the risk of fire or explosion, electric shock and to prevent property damage, personal injury or loss of life. Failing to follow these instructions shall void any warranty.

### Safety Indicator Key:



**WARNING!** = indicates a potentially dangerous situation which may result in death or serious injury unless it's avoided.

 **CAUTION** = indicates a potentially dangerous situation which may result in slight or minor injury or damage to property and the environment.

**NOTE:** = indicates a potentially dangerous situation which may result in slight or minor injury.



**WARNING!** Electric shock hazard

- If the power cord is damaged, it must be replaced by the manufacturer, its service agent or a qualified technician in order to avoid a hazard.
- If the machine is damaged, it must not be operated unless repaired by the manufacturer, its service agent or a qualified technician.
- The appliance can be used by children aged from 8 years and above and persons with reduced physical, sensory or mental capabilities or lack of experience and knowledge if they have been given supervision or instruction concerning use of the appliance in a safe way and understand the hazards involved. Children shall not play with the appliance. Cleaning and user maintenance shall not be made by children without supervision.
- Children should be supervised so that they do not play with the appliance.
- Children 3 years and under shall be kept away from the appliance or be continuously supervised.
- Animals and children may climb into the machine. Check the machine before every operation.
- Do not climb or sit on the appliance.

### INSTALLATION LOCATION

- Any washing powders, detergents, tablets or other such substances are to be kept in a safe place out of the reach of children.
- Do not install the machine on a carpet floor to prevent any obstruction of openings which could damage the machine.
- Keep the appliance clear from any heat source and direct sunlight to avoid plastic and rubber parts corroding.
- Do not use the appliance in humid environments.
- The appliance must not be installed behind a lockable door, a sliding door or a door with a hinge on the opposite side to that of the washing machine.
- Do not operate the machine in rooms with a temperature of below 5°C, as this could lead to certain parts being damaged. If it is unavoidable, make sure to drain the water completely from the appliance after every use (see 'Maintenance - Cleaning of drain pump filter') to avoid damages caused by frost.
- Never use flammable sprays or substances in the immediate proximity of the appliance.

## INSTALLATION

- Remove all packaging material and transport bolts before using the appliance. Otherwise this could lead to serious damage to the appliance.
- This appliance is equipped with a single inlet valve and can be connected to the cold water supply only.
- Mains plug must be accessible after installation.
- Before washing clothes for the first time, the machine should be run on the cotton program at 90°C without any laundry or detergent inside.
- Before using the washing machine, the appliance shall be calibrated.
- Do not put any excessively heavy objects on the appliance, like water containers or heating devices.
- Ensure the new hose-sets supplied with the appliance are used and that any existing hose-sets are replaced.
- Max. Inlet water pressure 1 MPa. Min. inlet water pressure 0.05 MPa.

## ELECTRICAL CONNECTION

**⚠ CAUTION!** Make sure the power cord is not trapped by the machine, as this could lead to damages.

- Connect the product to a grounded outlet protected by a fuse complying with the values in the “ Technical specifications “ table. The grounding installation has to be made by a qualified electrician. Ensure that the machine is installed in accordance with the local regulations.
- Water and electrical connections must be carried out by a qualified technician in accordance with the manufacturer’s instructions and local safety regulations.



### **WARNING!**

- **Don’t use multiple plugs or extension cords.**
- **The appliance must not have an external switching device such as a timer or connected to a circuit that is regularly switched on and off.**
- **Do not pull the plug out of the mains outlet if there is flammable gas around.**
- **Never pull out power plug with wet hands.**
- **Always pull at the plug, not at the cable.**
- **Always unplug the appliance if it is not being used.**

## WATER CONNECTIONS

- Check the connections of the water inlet tubes, the water tap and the outlet hose for possible problems due to changes of water pressure. If the connections loosen or leak, close the water tap and get it repaired. Do not use the appliance before the pipes and hoses are installed properly by a qualified technician.
- The glass door may become very hot during the operation. Keep children and pets far away from the machine while it is operating.
- The water inlet and outlet hoses have to be safely installed and remain undamaged. Otherwise, water leakage can occur.
- Do not remove the drain pump filter while there is still water in the appliance. Big quantities of water can leak out, and there is a risk of scalding due to hot water.

## OPERATION AND MAINTENANCE

- Never use any flammable, explosive or toxic solvents. Do not use gasoline and alcohol etc. as detergents. Only select detergents that are suitable for machine washing.
- Make sure that all pockets are emptied. Sharp and rigid items such as coins, brooches, nails, screws, stones etc. may cause serious damage to this machine.
- Remove all objects from pockets such as lighters and matches before using the appliance.
- Thoroughly rinse items that have been washed by hand.
- Items that have been soiled with substances such as cooking oil, acetone, alcohol, petrol, kerosene, spot removers, turpentine, wax and wax removers should be washed in hot water with an extra amount of detergent before being washed in the appliance.
- Items containing foam rubber (latex foam), shower caps, water proof textiles, rubber backed articles and clothes or pillows fitted with foam rubber pads should not be washed in the machine
- Fabric softeners or similar products should be used as recommended in their instructions.
- Never try to open the door forcefully. The door will unlock shortly after the end of a cycle.
- Please do not close the door with excessive force. If it is difficult to close the door, please check if the clothes are properly inserted and distributed within the drum.
- Always unplug the appliance and close the water tap before cleaning and maintenance and after each use.
- Never pour water over the appliance for cleaning purpose. Risk of electric shock!
- Repairs shall only be carried out by the manufacturer, its service agent or a qualified technician in order to avoid a hazard. The manufacturer will not be held responsible for any damages caused due to attempted repairs carried out by unqualified persons.

## TRANSPORT

- Before Transport:
  - Bolts shall be reinstalled to the machine by a qualified technician
  - Accumulated water shall be drained out of the machine

**⚠ CAUTION!** This appliance is heavy. Transport with care. Never hold any protruding part of the machine when lifting. The machine door cannot be used as a handle.

## INTENDED USE

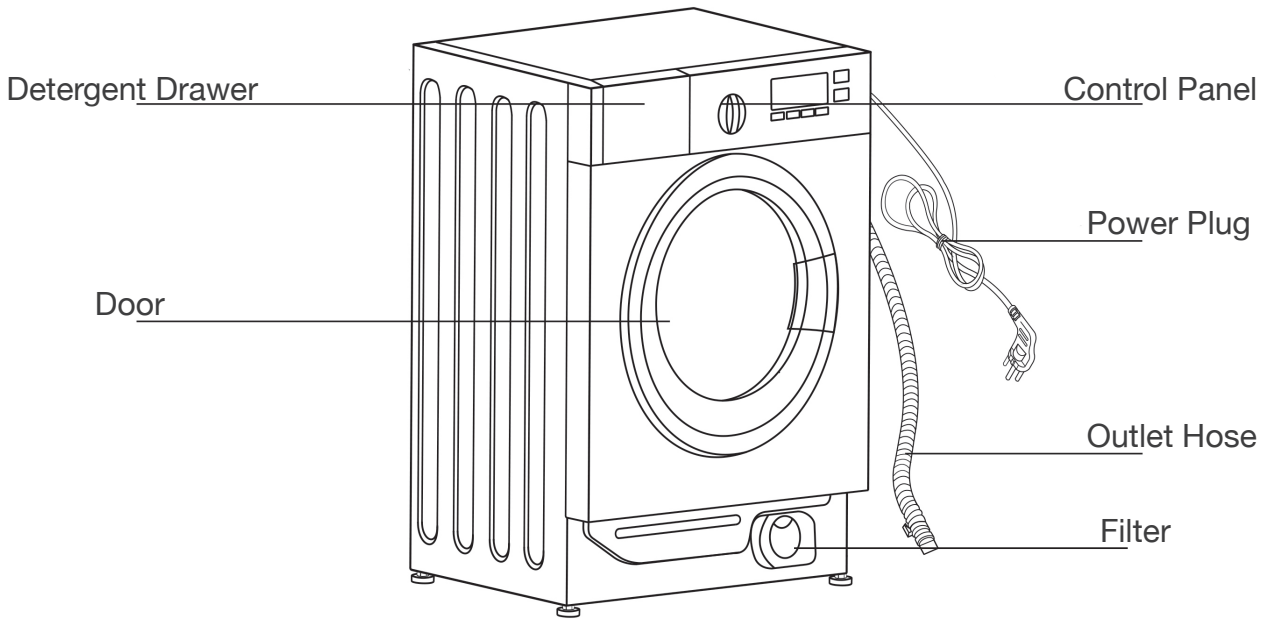
- The product is intended only for home use and for textiles in household amounts suitable for machine washing. This appliance is for indoor use only. Only use according to these instructions. The appliance is not intended for commercial use.
- Any other use is considered as improper use. The manufacturer is not responsible for any damage or injuries that may be caused as a result.
- This appliance is intended to be used in household and similar applications such as:
  - Staff kitchen areas in shops, offices and other working environments;
  - Farm houses;
  - Bed and breakfast type environments;
  - Areas for communal use in blocks of flats or in launderettes.

## PACKAGING/OLD APPLIANCE



This marking indicates that this product should not be disposed with other household wastes throughout the EU and UK. To prevent possible harm to the environment or human health from uncontrolled waste disposal, recycle it responsibly to promote the sustainable reuse of material resources. To return your used device, please use the collection systems or contact the retailer where the product was purchased. This will help to ensure that the appliance is recycled in an environmentally safe manner.

# PRODUCT OVERVIEW

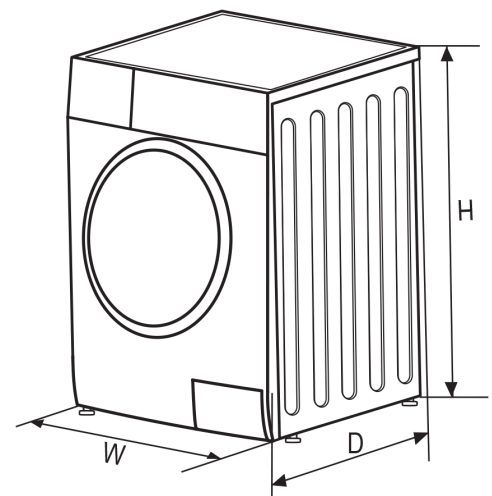


## Accessories



## TECHNICAL SPECIFICATION

Model	BIW0814
Power Supply	220-240V~,50Hz
MAX. Current	10A
Standard Water Pressure	0.05MPa~1MPa
Washing Capacity	8.0kg
Dimensions (mm)	H:825 x W:595 x D:540
Net Weight	63kg
Rated Power	1950W



## PRODUCT FICHE

Supplier's name or trade mark <sup>(a)</sup> (°): Statesman					
Supplier's address <sup>(a)</sup> (°): 38 Bluestem Road, Ransomes Industrial Estate, Ipswich, Suffolk, IP3 9RR					
Model Identifier <sup>(a)</sup> : BIW0814					
General product parameters:					
Parameter	Value		Parameter	Value	
Rated capacity <sup>(b)</sup> (kg)	8.0		Dimensions in cm <sup>(a)</sup> (°)	Height	83
				Width	60
				Depth	54
Energy efficiency index <sup>(b)</sup> (EEI <sub>w</sub> )	60.0		Energy efficiency class <sup>(b)</sup>	B <sup>(c)</sup>	
Washing efficiency index <sup>(b)</sup>	1.031		Rinsing effectiveness (g/kg) <sup>(b)</sup>	5.0	
Energy consumption in kWh per kg per cycle, based on the eco 40-60 program. Actual energy consumption will depend on how the appliance is used.	0.545		Water consumption in litre per cycle, for the eco 40-60 program. Actual water consumption will depend on how the appliance is used and on the hardness of the water	48	
Maximum temperature inside the treated textile <sup>(b)</sup> (°C)	Rated capacity	37	Weighted remaining moisture content <sup>(b)</sup> (%)	53.9	
	Half	33			
	Quarter	23			
Spin Speed <sup>(b)</sup> (rpm)	Rated capacity	1400	Spin-drying efficiency class <sup>(b)</sup>	B <sup>(c)</sup>	
	Half	1400			
	Quarter	1400			
Program duration <sup>(b)</sup> (h:min)	Rated capacity	3:38	Type	Built-in	
	Half	2:48			
	Quarter	2:48			
Airborne acoustical noise emissions during the spinning phase <sup>(a)</sup> (dB(A) re 1 pW)	76		Airborne acoustical noise emission class <sup>(b)</sup> (spinning phase)	B <sup>(c)</sup>	
Off-Mode (W) (if applicable)	0.50		Standby Mode (W) (if applicable)	1.00	
Delay Start (W) (if applicable)	4.00		Networked standby (W) (if applicable)	N/A	
Minimum duration of the guarantee offered by the supplier <sup>(a)</sup> (°)					
This product has been designed to release silver ions during the washing cycle			NO		
Additional information:					
Weblink to the supplier's website, where the information in point 9 of Annex II to Commission Regulation (EU) 2019/2023 (1) is found:					
<sup>(a)</sup> this item shall not be considered relevant for the purposes of Article 2(6) of Regulation (EU) 2017/1369					
<sup>(b)</sup> for the eco 40-60 programme					
<sup>(c)</sup> changes to this item shall not be considered relevant for the purposes of paragraph 4 of Article 4 of Regulation (EU) 2017/1369					
<sup>(d)</sup> if the product database automatically generates the definitive content of this cell the supplier shall not enter these data					

### NOTE:

1. The actual energy consumption will depend on how the appliance is used.
2. The actual water consumption will depend on how the appliance is used and on the hardness of the water.

### Product Data Sheet concerning (EU) 2019/2014

The product data sheet for your appliance can be found online.

Go to <https://eprel.ec.europa.eu> and enter the model identifier for your appliance to download the data sheet.

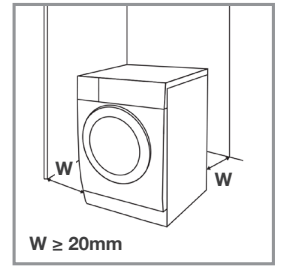
The model identifier for your appliance can be found in the technical specifications section.



## INSTALLATION

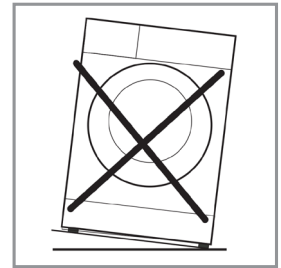
### WARNING!

- **Stability is important to prevent the product from moving. Make sure the machine is level and stable.**
- **Make sure that the product does not stand on the power cord.**
- **Make sure to maintain the minimum distances from the walls as shown in the picture.**



Before installing the machine, the location characterised as follows shall be selected:

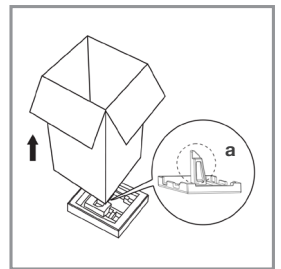
1. Rigid, dry, and level surface
2. Avoid direct sunlight
3. Sufficient ventilation
4. Room temperature is above 0°C
5. Keep far away from any heat sources such as coal or gas burning appliances.



## UNPACKING THE WASHING MACHINE

### WARNING!

- **Packaging material (e.g. Films, Styrofoam) can be dangerous for children.**
- **There is a risk of suffocation! Keep all packaging well away from children.**



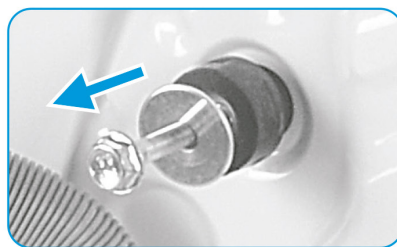
1. Remove the cardboard box and Styrofoam packing.
2. Lift the washing machine and remove the base packaging. Make sure the small triangle foam (a) is removed with the bottom packaging together. If not, lay the unit down on the side surface and remove it manually.
3. Remove the tape securing the power supply cord and drain hose.
4. Remove the inlet hose from the drum.

## REMOVE TRANSPORT BOLTS

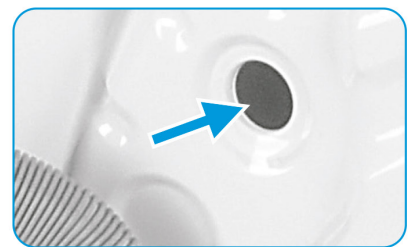
### WARNING! You must remove the transport bolts from the back of the machine before use.



Loosen the 4 transport bolts with a spanner.



Remove the bolts including the rubber parts and keep them for future use.

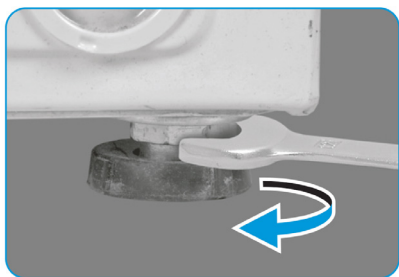


Close the holes using the cover caps.



## LEVELLING THE WASHING MACHINE

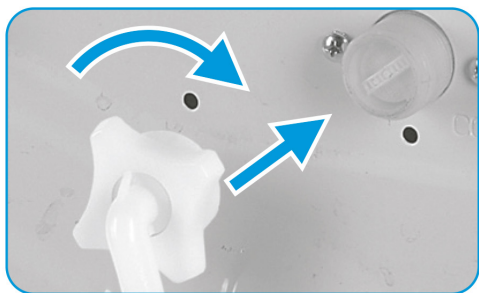
**⚠ WARNING! The lock nuts on all four feet must be screwed tightly against the housing.**



1. Loosen the lock nut.
2. Turn the foot until it reaches the floor.
3. Adjust the legs and lock the nuts with a spanner. Make sure the machine is level and steady.

## CONNECT THE WATER SUPPLY HOSE

**⚠ WARNING! To prevent leakage or water damage, follow the instructions in this chapter. Do not kink, crush or modify water inlet hose.**



Connect the water supply hose to the water inlet valve and a water tap with cold water as indicated.

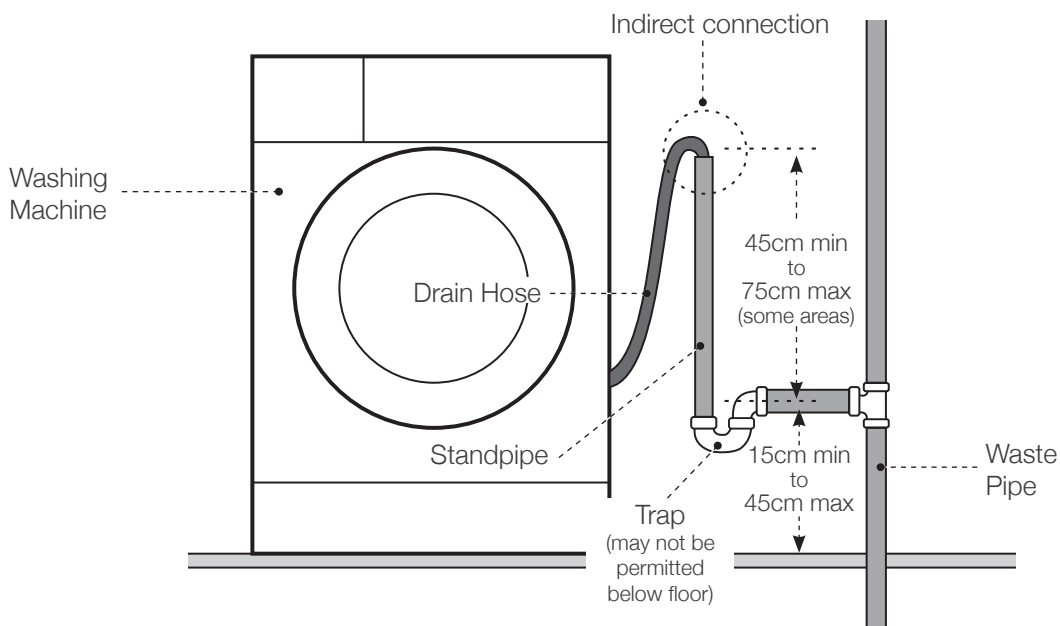


**NOTE:** Connect manually, do not use tools. Check if the connections are tight.

## DRAIN HOSE

**⚠ WARNING! Do not kink or protract the drain hose. Position drain hose properly, otherwise damage might be a result of water leakage.**

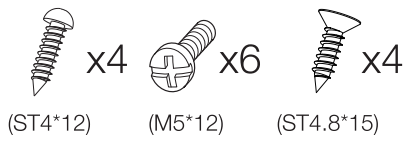
Connect the end of the drain hose as per the diagram below:



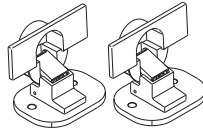
# BUILT-IN INSTALLATION

## Appendix

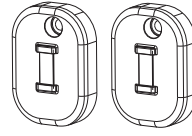
Self-tapping screws



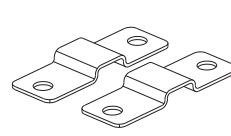
Hinges



Counter magnet



Spacer

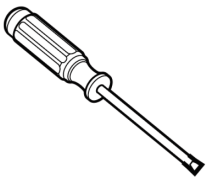


Fixed position paper



## Tools Required (not supplied)

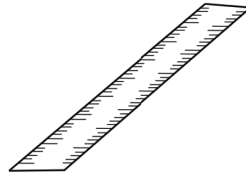
Screw driver



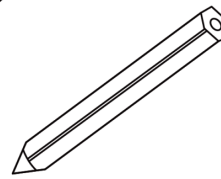
Automatic driver



Ruler

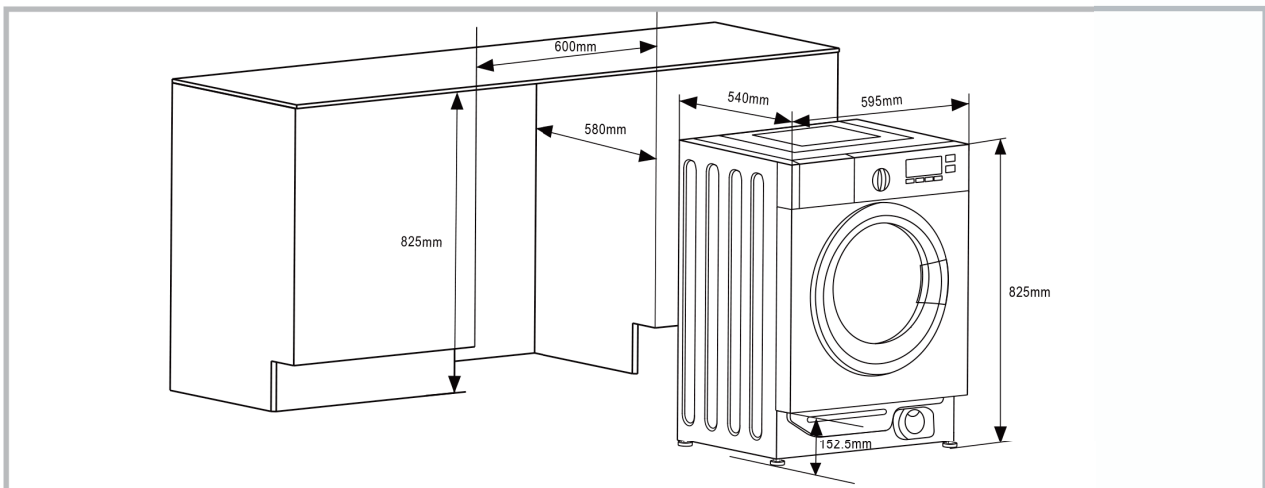


Pencil

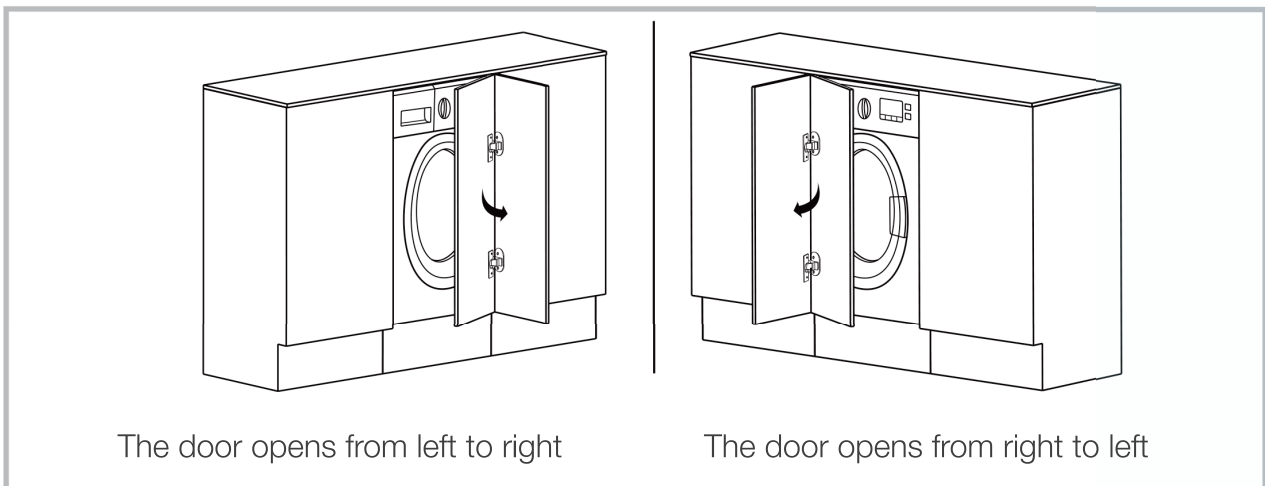


## Install Steps

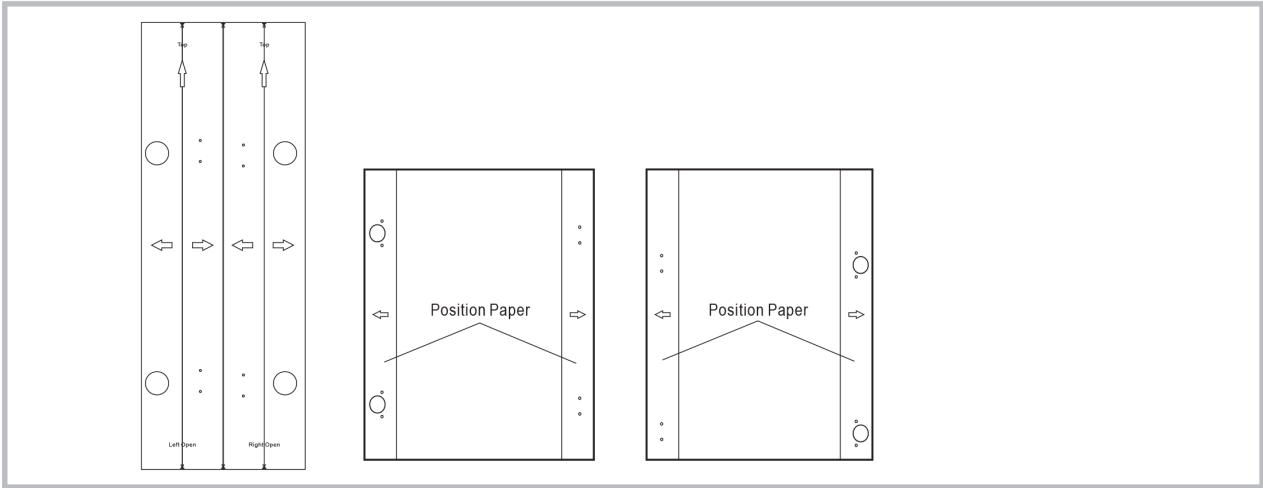
Overview:



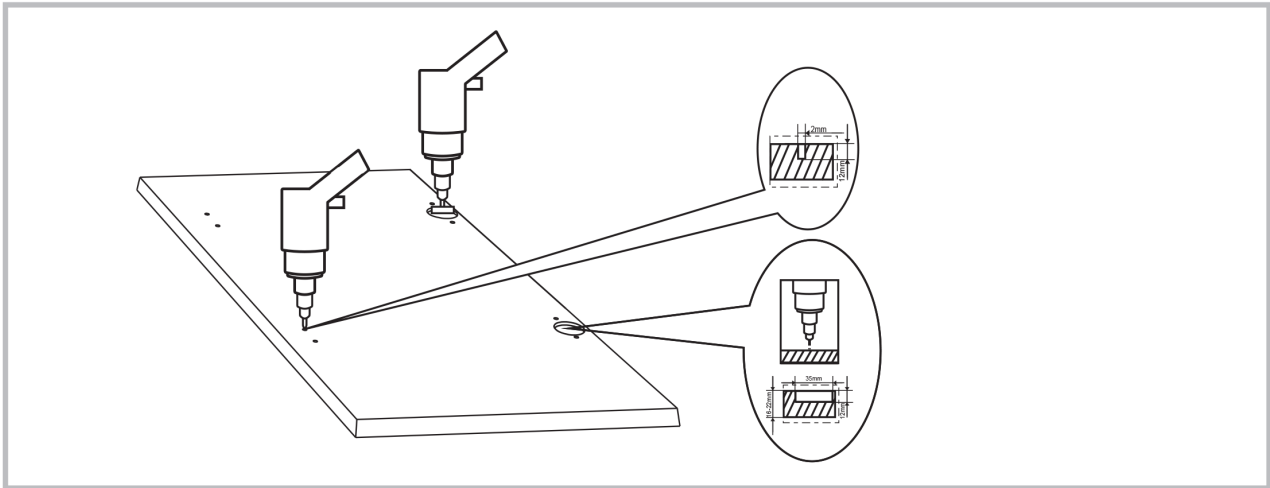
Preparation and assembly of the door:



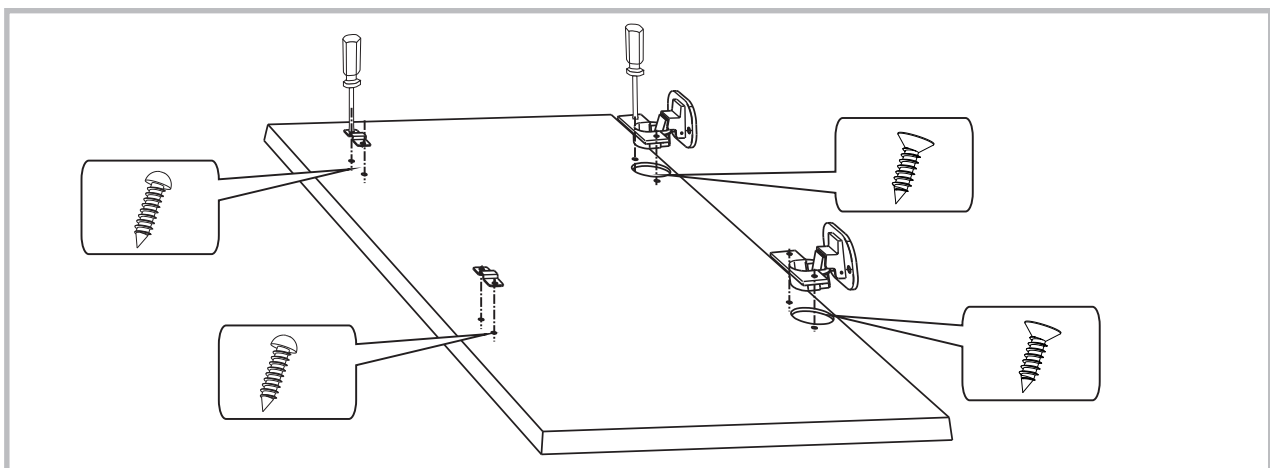
1. Once the opening direction of the door has been decided, fix the corresponding position paper accordingly



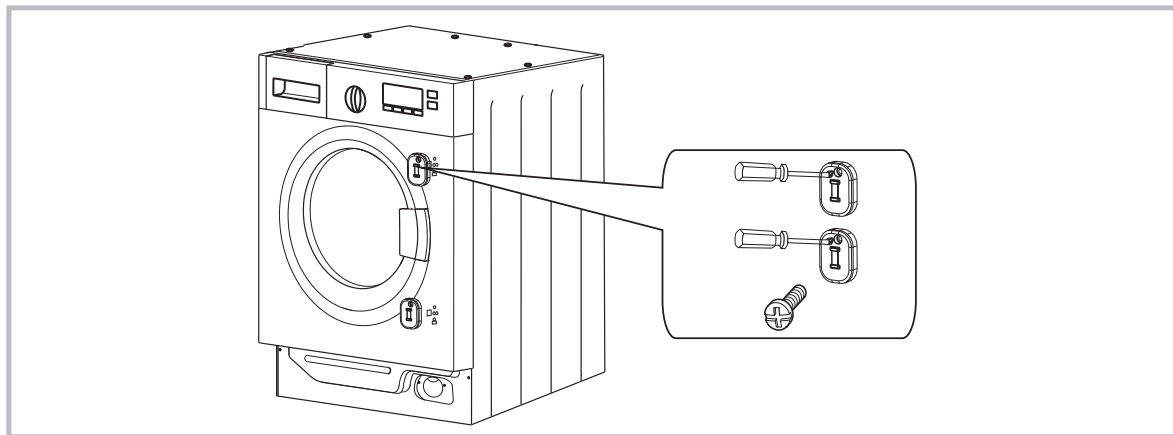
2. Drill holes in the door



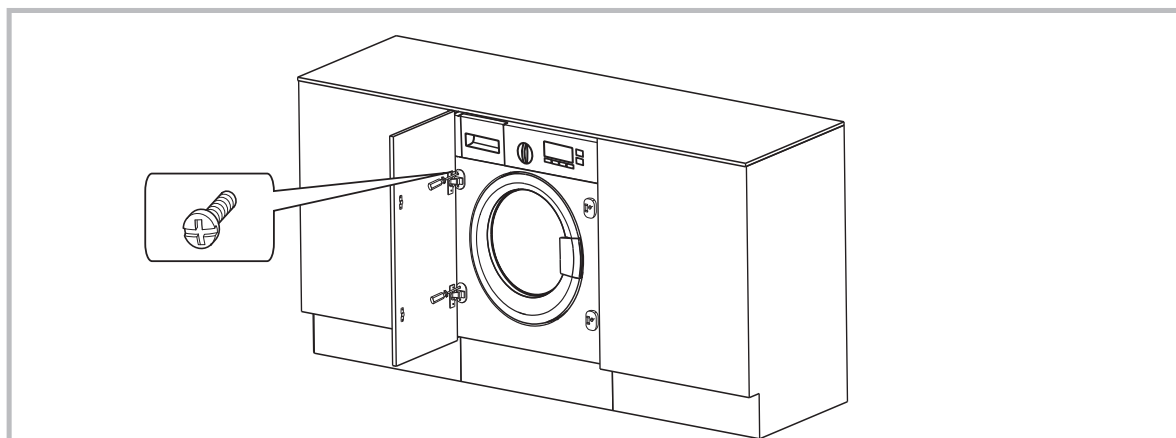
3. Install the hinges and spacer to the door and then fix the door to the machine




4. Install the counter magnets



5. Check that the door opens and closes correctly before using the appliance for the first time.



 **WARNING!** When installing the appliance ensure that the hoses are placed in either of the two recesses on the back of the machine. This will help to prevent the hoses from becoming kinked or trapped.

# OPERATING INSTRUCTIONS

## QUICK START

### ⚠ CAUTION!

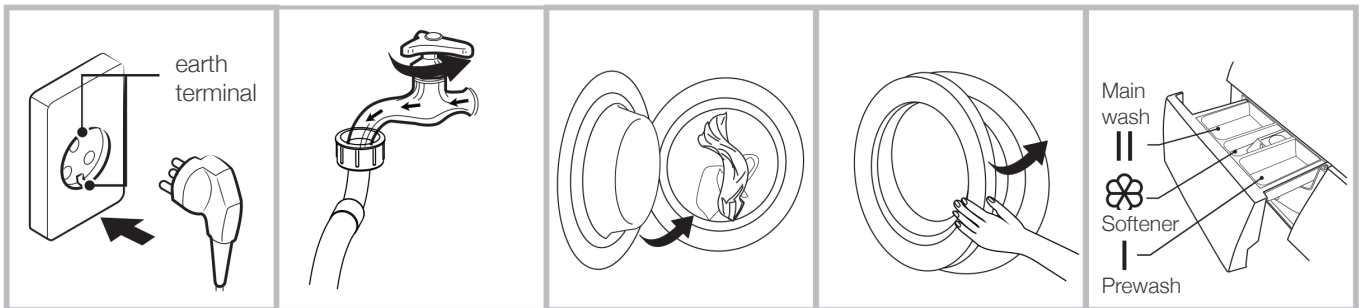
- Before washing, please make sure the washing machine is installed properly.
- Your appliance was thoroughly checked before it left the factory. To remove any residual water and to neutralise potential odours, it's recommended to clean your appliance before first use. For this reason, start the Cotton program at 90°C without laundry and detergent.

## CALIBRATION

It's recommended to calibrate the washing machine, so that provide the best performance. The appliance is able to detect the amount of laundry loaded. This function is optimizing the product performance by minimizing energy and water consumption, saving you money and time. For this reason it's recommended to calibrate the appliance for best use.

1. Remove all accessories from the drum and close the door;
2. Insert the mains plug to the socket;
3. Switch on the washing machine and press "Speed" and "Delay" simultaneously for 10 seconds until "t19" is displayed;
4. Press [▶||] to start the appliance and wait till "\*\*\*\*" is displayed.
5. The machine MFG60-S1210/C20E-EU(NE) does not need calibrate, so step 1 to step 4 can be skipped.

## 1. BEFORE WASHING



Plug in

Open tap

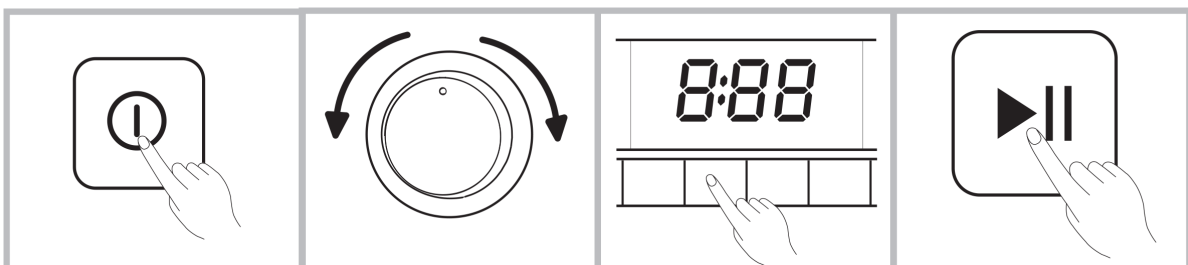
Load

Close door

Add detergent

**NOTE:** Detergent only needs to be added in compartment I if the pre-wash function is selected.

## 2. WASHING



Power On

Select program

Select function

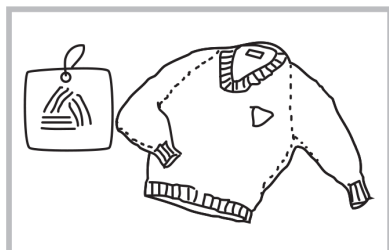
Press Start/Pause to start the program

## 3. AFTER WASHING

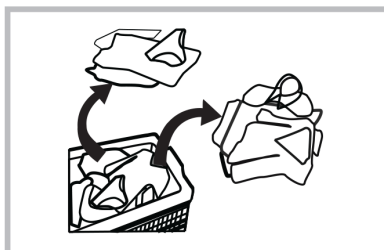
An alert will sound and "End" will appear on the display

## BEFORE EACH WASH

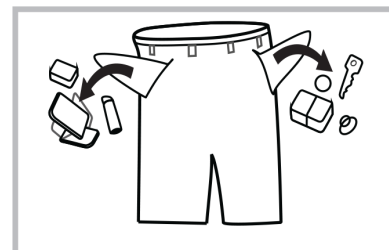
- The ambient temperature of the washing machine should be 5-40°C. If used under 0°C, the inlet valve and draining system may be damaged. If the machine is installed in conditions below freezing, it should be transferred to normal ambient temperature to ensure the water supply hose and drain hose can unfreeze before use.
- Please check your laundry care labels and the detergent use instructions before washing. Use non-foaming or less-foaming detergent suitable for machine washing.



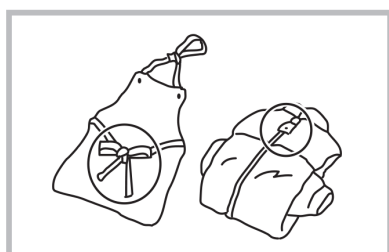
Check the care label



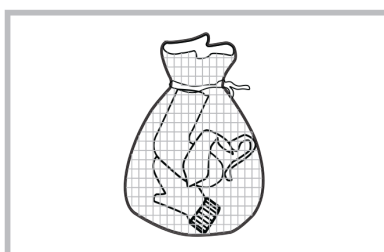
Sort laundry according to color and textile type



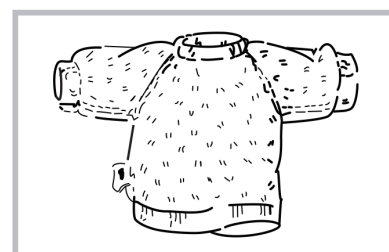
Take all items out of pockets



Tie together long textile strips and belts, close zips and buttons



Put small items into a laundry bag




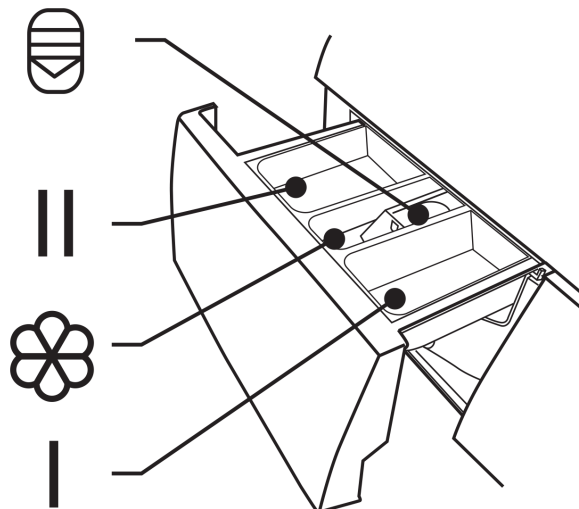
Turn easy-piling and long-pile fabric inside out

### **WARNING!**

- **Do not wash or dry articles that have been cleaned in, washed in, soaked in, or dabbed with combustible or explosive substances like wax, oil, paint, gasoline, alcohol, kerosene, and other flammable materials.**
- **Washing single clothes items may easily create create unbalance in the machine. Therefore it is suggested to add one or two more laundry items to the wash so that the spin can be done smoothly.**

## DETERGENT DISPENSER

- I Pre wash
- II Main wash
- ☼ Softener
-  Release button to pull out the dispenser to allow for cleaning purposes



**⚠ CAUTION!** Detergent only needs to be added in “compartment I “after selecting pre-wash function.

Program	I	II	☼
Quick 15		●	○
Rapid 45	○	●	○
20°C		●	○
Jeans	○	●	○
Eco 40-60		●	○
Intensive		●	○
Rinse & Spin			○
Spin Only			

Program	I	II	☼
Baby Care	○	●	○
Wool		●	○
Delicate		●	○
Mixed	○	●	○
Synthetic	○	●	○
Sports	○	●	○
Cotton	○	●	○

● : Required      ○ : Optional



## DETERGENT RECOMMENDATION

Recommended washing detergent	Wash cycles	Washing temp. (°C)	Type of laundry and textile
Heavy-duty detergent with bleaching agents and optical brighteners	Cotton, ECO 40-60, Intensive	40/60	White laundry made from boil-proof cotton or linen
Colour detergent without bleaching agent and optical brighteners	Intensive, Cotton, ECO 40-60, Mixed, 20°C	20/30/ 40/60	Coloured laundry made from cotton or linen
Color or mild detergent without optical brighteners	20°C, Synthetic	Cold/20/ 30/40	Coloured laundry made from easy care fibres or synthetic materials
Mild washing detergent	Synthetic	20/30	Delicate textiles, silk, viscose
Special wool detergent	Wool	20/30/40	Wool

### NOTE:

Agglomerating or ropy detergent or additive can be diluted in some water before pouring it into the detergent dispenser, to avoid the inlet getting blocked and thus causing a water overflow.

- Please choose a suitable type of detergent to ensure maximum washing performance and minimum water and energy consumption
- To achieve the best cleaning result a proper detergent dosing is important.
- Use a reduced detergent amount if the drum is not filled completely.
- Always adjust the amount of detergent according to the water hardness. If your tap water is soft, use less detergent.
- Dose according to how dirty your laundry is, less dirty clothes require less detergent.
- Highly concentrated (compact detergent) requires particularly accurate dosing.

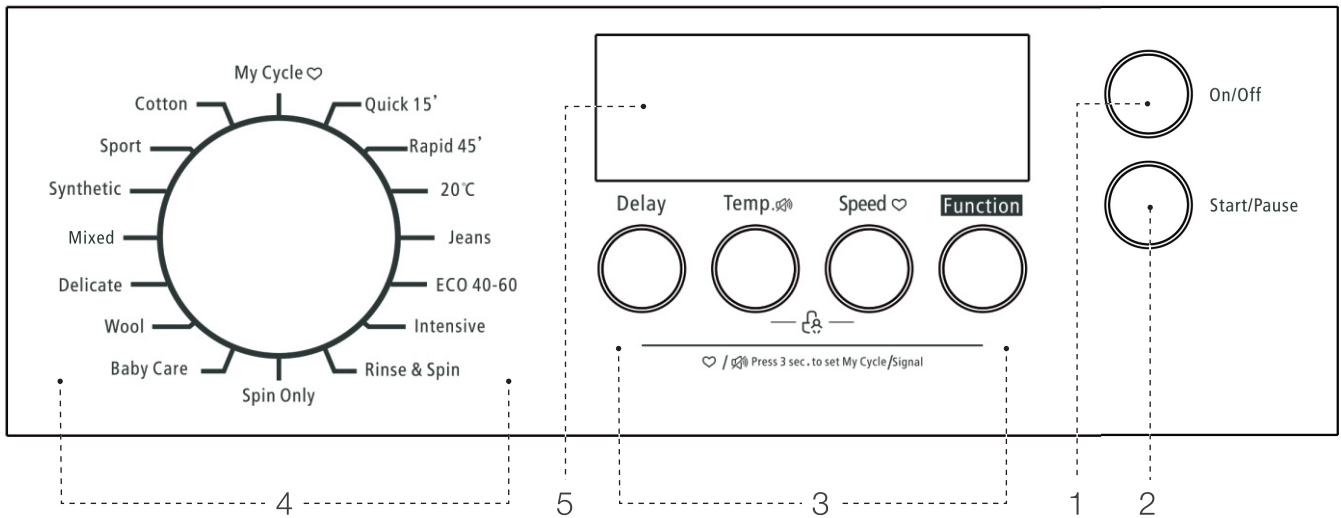
Following symptoms are a sign of detergent overdosing:

- heavy foam formation
- poor washing and rinsing result

Following symptoms are a sign of detergent under dosing:

- laundry turns grey
- build-up of limescale deposits on the drum, the heating element and/or the laundry

## CONTROL PANEL



### 1. Power

Press this button to turn the machine on or off.

### 2. Start/Pause

Press this button to start or pause the washing cycle.

### 3. Setting Options

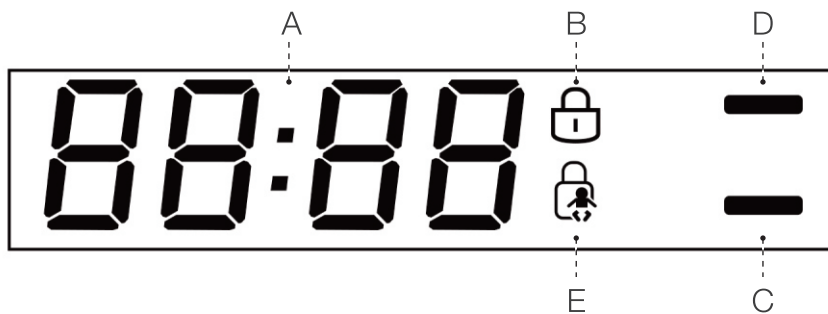
This allows you to select an additional functions and will light when selected.

### 4. Programs

Available according to the laundry type.

### 5. Display

The display shows the settings, estimated time remaining, options, and status messages for your machine. The display will remain on through the cycle.



**A.** Wash Time    Delay Time    Speed    Error    End  
 1:25            2h            1200    E20    End

**B.** Door Lock            **C.** Extra Rinse  
**D.** Pre Wash            **E.** Child Lock

## PROGRAMS

Program	Washing/Drying Load (kg)	Display Time (H)
	8.0	8.0
		1400
Quick 15	2.0	0:15
Rapid 45	2.0	0:45
20°C	4.0	1:01
Jeans	8.0	1:45
Eco 40-60	8.0	3:35
Intensive	8.0	3:48
Rinse & Spin	8.0	0:20
Spin Only	8.0	0:12
Baby Care	8.0	1:43
Wool	2.0	1:07
Delicate	2.5	0:50
Mixed	8.0	1:20
Synthetic	4.0	3:18
Sports	4.0	1:11
Cotton	8.0	3:49

Cycle	Nominal capacity (kg)	Temperature setting	Cycle duration (H:M)	Energy consumption (kWh / operating cycle)	Water consumption (L / operating cycle)	Highest temperature (°C <sup>1</sup> )	Residual moisture (% / spin speed <sup>2</sup> )
Quick 15	2.0	Cold	0:15	0.030	31.0	Cold	75%/800
20°C	4.0	20	1:01	0.183	44.0	20	65%/1000
Intensive	8.0	40	3:48	1.013	71.0	40	70%/800
Mixed	8.0	40	1:20	0.754	71.0	40	70%/800
Cotton	8.0	60	3:54	1.515	71.0	60	53%/1400
Eco 40-60 <sup>3</sup>	8.0	-	3:38	0.852	61.0	37	53%/1400
	4.0	-	2:48	0.542	45.0	33	53%/1400
	2.0	-	2:48	0.216	36.0	23	53%/1400

- The above data is for reference only, and the data may change due to different actual use conditions.
  - The values given for programs other than the ECO 40-60 program are indicative only.
  - Concerning to EN 60456:2016 With (EU)No.1061/2010, The EU energy efficiency class is: A+++  
Energy test program: Intensive; Speed:The highest speed; Temp.: 60°C/40°C; Other as the default. Half load for 8.0kg machine:4.0kg.
  - Concerning to EN 60456:2016/prA2019 With (EU)2019/2014, (EU)2019/2023, The EU energy efficiency class is: B  
Energy test program: ECO 40-60. Other as the default.  
Half load for 8.0Kg machine:4.0Kg.  
Quarter load for 8.0Kg machine:2.0Kg.
1. The highest temperature reached by the laundry in the wash cycle for at least 5 minutes.
  2. Residual moisture after the wash cycle in water content percentage and the spin speed at which this was achieved.
  3. The ECO 40-60 program is able to clean normally soiled cotton laundry declared to be washable at 40°C or 60°C, together in the same cycle. This program is used to assess the compliance with the regulation (EU) 2019/2023.

The most efficient programs in terms of energy consumption are generally those that perform at lower temperatures and longer duration.

Loading the household washing machine up to the capacity indicated for the respective programs will contribute to energy and water savings.

Noise and remaining moisture content are influenced by the spinning speed: the higher the spinning speed in the spinning phase, the higher the noise and the lower the remaining moisture content.

## PROGRAMS

Programs are available according to the laundry type.

PROGRAMS	DESCRIPTIONS
Cotton	Use for washing hard-wearing textiles, heat-resistant textiles made of cotton or linen.
Rapid 45'	Use for washing few and not very dirty clothes quickly.
Synthetic	Use for washing synthetic articles, for example: shirts, coats, blending. While washing knitted textiles, detergent quantity should be reduced due to its loose string construction and easily forming bubbles.
Baby Care	Use for washing baby's clothes. Additional rinsing ensures excess detergent that could be irritating to baby's skin is removed from laundry.
Jeans	Use for washing jeans.
Mixed	Use for washing mixed loads
20°C	Use for washing brightly colored clothes as it can protect the colors better.
Sports	Use for washing the active wear.
Quick 15'	Extra short program which is suitable for washing small amounts of lightly soiled laundry
Delicate	Use for washing delicate, washable textiles, e.g. made of silk, satin, synthetic fibres or blended fabrics.
Wool	Use for washing hand or machine-washable wool or rich wool textiles. Especially gentle wash program to prevent shrinkage, longer program pauses (textiles rest in washing liquid).
Spin Only	Extra spin with selectable spin speed.
Rinse & Spin	Extra rinse with spin.
Eco 40-60	Use for washing brightly colored clothes as it can protect the colors better. Default 40°C, not selectable, suitable for laundry washing at about 40°C-60°C.
Intensive	To increase the washing effects, washing time is increased.

Cycle	Default Temp. (°C)	Default Spin Speed (rpm)		Additional Functions		
Wash Cycles		1200	1400			
Quick 15	Cold	800	800	Delay		
Rapid 45	40	800	800	Delay	Pre Wash	Extra Rinse
20°C	20	1000	1000	Delay	Extra Rinse	
Jeans	60	1000	1000	Delay	Pre Wash	Extra Rinse
Eco 40-60	--	1200	1400	Delay		
Intensive	40	800	800	Delay		
Rinse & Spin	--	1000	1000	Delay	Extra Rinse	
Spin Only	--	1000	1000	Delay		
Baby Care	60	800	800	Delay	Pre Wash	Extra Rinse
Wool	40	600	600	Delay	Extra Rinse	
Delicate	30	600	600	Delay	Extra Rinse	
Mixed	40	800	800	Delay	Pre Wash	Extra Rinse
Synthetic	40	800	1200	Delay	Pre Wash	Extra Rinse
Sports	40	800	800	Delay	Pre Wash	Extra Rinse
Cotton	40	800	1400	Delay	Pre Wash	Extra Rinse

**NOTE:**

- For the maximum spin speed, program time, and other details of the ECO 40-60 program, please refer to the content on the Product Fiche page.

## FUNCTIONS



### Delay

Set the Delay function:

1. Select a program
2. Press the Delay button to choose the time(the delaying time is 0-24 H.)
3. Press [Start/Pause] to commence the delay operation



On/Off



Choose the program



Setting time



Start

Cancel the Delay function:

Press the [Delay] button until the display be 0H. It should be pressed before starting the program. If the program has already started, press the [On/Off] button to reset the program.

### ! CAUTION!

If there is any break in the power supply while the machine is operating, a special memory stores the selected program and when the power is restarted, press the [On/Off] button the program will continues.

### Pre Wash

#### Pre Wash

The Prewash function provides an extra wash before the main wash.

### Extra Rinse

#### Extra Rinse

The laundry will undergo an extra rinse once selected.

### Speed

#### Speed

Press the button to change the spin speed.

### Temp.

#### Temp.

When needed, the washing temperature can be adjusted by pressing the temperature button in the following steps: Cold - 20°C - 30°C - 40°C - 60°C - 90°C.



#### My Cycle

Memorises the frequently used programs

Press [  ] 3sec. to memorise the running program. The default is cotton.





### Child Lock

To avoid mis operation by children.



On/Off



Start/Pause



Press [Temp.] and [Speed] 3 sec. till alert sounds.

### ⚠ CAUTION!

- Press both buttons for 3sec. to unlock the machine.
- The “Child Lock” will lock all buttons except [On/Off].



### Mute the alert sound



On/Off



Start/Pause



Press the [Temp.] button for 3sec. the alert sound is mute.

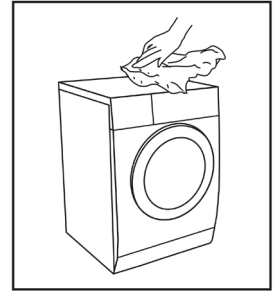
⚠ CAUTION! After muting the alert sound function, the sounds will not be activated any more.

# CLEANING & MAINTENANCE

**⚠ WARNING!** Always unplug the appliance and close the water tap before cleaning and maintenance.

## CLEANING THE CABINET

Proper maintenance on the washing machine can extend its working life. The surface can be cleaned with diluted non-abrasive neutral detergents when necessary. If there is any water overflow, use a cloth to wipe it off immediately. Never use sharp items to clean the appliance.



**⚠ CAUTION!** Never use abrasive or caustic agents, formic acids or its diluted solvents or similar substances, like alcohol or chemical products.

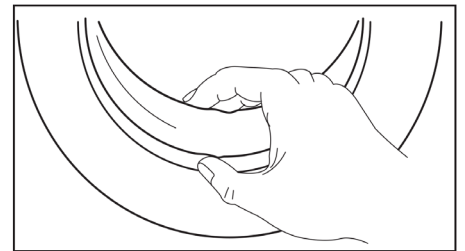
## CLEANING THE DRUM

Any rust stains left inside the drum by metal articles must be removed immediately using chlorine-free detergents. Never use steel wool for cleaning the drum!

**NOTE:** Keep any laundry away from the machine while cleaning the drum.

## CLEANING THE DOOR SEAL AND GLASS

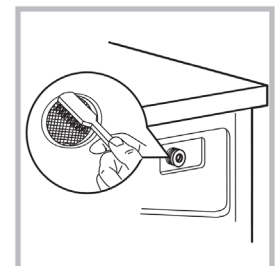
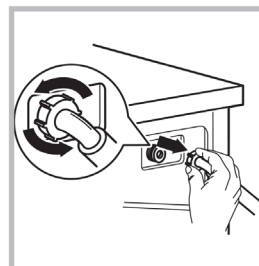
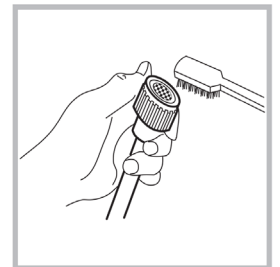
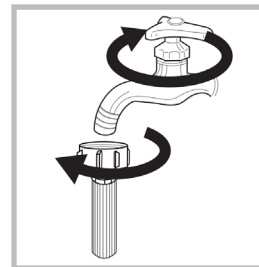
Wipe the glass and seal after each wash to remove lint and stains. If lint builds up it can cause leakages. Remove any coins, buttons and other objects from the seal after each wash. Clean the Door Seal and Glass every month to ensure the normal operation of the appliance.



## CLEANING THE INLET FILTER

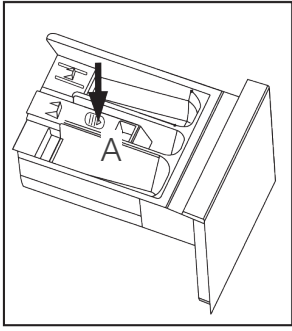
**NOTE:** Diminishing water flow is a sign that the filter need to be cleaned.

1. Close the tap and remove the water supply hose from it.
2. Clean the filter with a brush.
3. Unscrew the water supply hose from the backside of the machine. Pull out the filter with long nose pliers.
4. Use a brush to clean the filter.
5. Reinstall the filter to the water inlet and reconnect the water supply hose.
6. Clean the Inlet filter every 3 months to ensure the normal operation of the appliance.

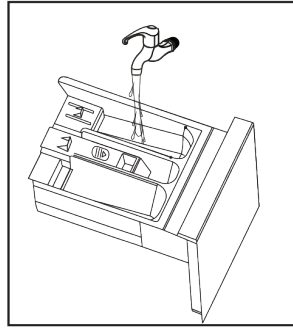


## CLEAN THE DETERGENT DISPENSER

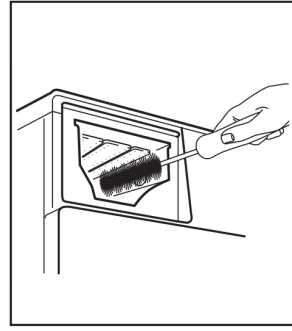
1. Press down the arrow location on softener cover inside the dispenser drawer.
2. Lift the clip up and take out softener cover and wash all grooves with water.
3. Restore the softener cover and push the drawer into position.



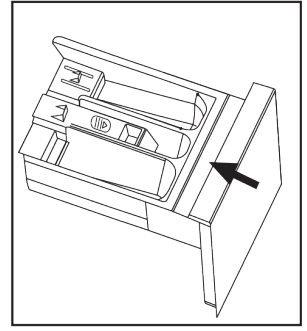
Pull out the dispenser drawer by pressing on release clip A



Clean the dispenser drawer with water



Clean inside the recess with an old toothbrush



Insert the dispenser drawer

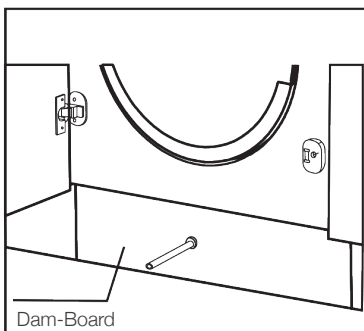
### NOTE:

- Do not use abrasive or caustic agents to clean plastic parts.
- Clean the detergent dispenser every 3 months to ensure the normal operation of the appliance.

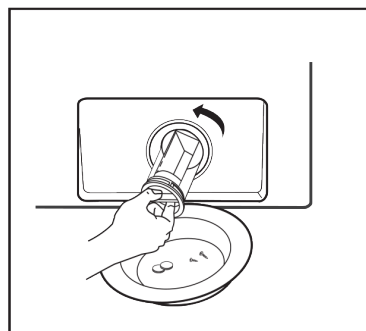
## CLEANING THE DRAIN PUMP FILTER



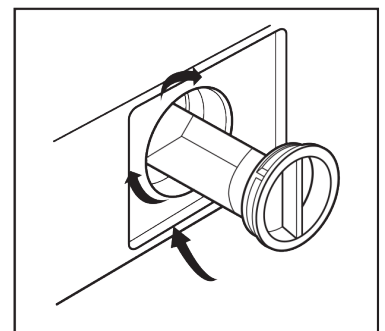
- **Be careful of the hot water!**
- **Allow detergent solution to cool down.**
- **Unplug the machine to avoid electrical shock before washing.**
- **The drain pump filter can filter yarns and small foreign matters from the wash cycle.**
- **Clean the filter periodically to ensure the normal operation of the machine.**
- **Clean the filter periodically every 3 months to ensure the normal operation of the appliance.**



After the power is disconnected, pull out the Dam-Board.



Turn the filter down as shown above and take out debris.



Reinstall each part after any debris is removed.

- ⚠ CAUTION!** Make sure emergency drain hose cap and the emergency drain hose are reinstalled properly, otherwise water may leak.

## TROUBLESHOOTING GUIDE

If you are having problems with your appliance, please use our troubleshooting guide below. If you are unable to resolve the issue using this guide, please ring our Customer Service Department on 0844 848 5861. Please have the model code and purchase information available.

DESCRIPTION	POSSIBLE CAUSE	SOLUTION
Appliance does not start	Door is not closed properly.	Close the door properly and restart.
	Clothes are stuck.	Check the laundry.
Door can't be opened	Safety protection is activated.	Disconnect the power and restart.
Water leakage	Connections are not tight enough.	Check and fasten the water inlet pipe. Check and clean the outlet hose.
Detergent residues in the detergent dispenser	Detergent is damp and/or clotted.	Clean and wipe the detergent dispenser dry.
Indicator or display does not work	PC board or harness have connection problems.	Switch off the power and check if the mains plug is connected properly.
Abnormal noise	Fixing bolts still in place.	Check if the fixing bolts have been removed.
	Floor is not solid or level.	Make sure the appliance is installed on a solid and level floor.

## ERROR CODES

DESCRIPTION	POSSIBLE CAUSE	SOLUTION
<b>E30</b>	Door is not closed properly	Close the door properly and restart.
<b>E10</b>	Water injecting problem during wash cycle.	Check if the water pressure is high enough. Straighten the water pipe. Clean the inlet valve filter.
<b>E21</b>	Overtime water draining	Check the drain hose for blockage.
<b>E12</b>	Water overflow	Restart the appliance.
<b>EXX</b>	Others	Restart the appliance. If problem persists, please contact customer service.



**WARNING! Risk of electric shock**

- **Never try to repair an appliance which is defective or presumed to be defective.**
- **You may put your own and future users' lives in danger. Only authorised technicians are allowed to carry out this repair work.**
- **Improper repair will void the warranty and subsequent damages won't be covered.**

## Disposal of Old Electrical Appliances

The European Directive 2002/96/EC on Waste Electrical and Electronic Equipment (WEEE), requires that old household electrical appliances must not be disposed of in normal unsorted municipal waste. Old appliances must be collected separately in order to optimise the recovery and recycling of the materials they contain and reduce the impact on human health and the environment. The crossed out “wheeled bin” symbol on the product reminds you of your obligation, that when you dispose of the appliance it must be separately collected. Consumers should contact their local authority or retailer for information concerning the correct disposal of their old appliance.



# STATESMAN

---

kitchen appliances

**38 Bluestem Road, Ransomes  
Europark, Ipswich, IP3 9RR  
Castle Electrical Factors Ltd.,  
Dundalk, A91 KA9R, IR  
0844 848 5861**