

STATESMAN

kitchen appliances



BXD0806
BUILT-IN 8KG WASH / 6KG DRY 1400RPM
WASHER DRYER

Instruction Manual

Please read these instructions carefully before use and retain for future reference.
Before switching on your appliance – Always check for any damage that may have
been caused in transit.

CONTENTS

Important Safety Instructions	3-5
Product Overview	6
Technical Specification	6
Product Fiche	7
Installation	8-12
- Unpacking the Washer Dryer.....	8
- Remove Transport Bolts	8
- Leveling the Washer Dryer.....	8
- Connect the Water Supply Hose	8
- Built-in Installation	9-12
Operating Instructions	13-23
- Calibration.....	13
- Before Each Wash	14
- Detergent Dispenser	15
- Detergent Recommendation.....	16
- Control Panel	17
- Programs	18-21
- Functions	22-23
Cleaning & Maintenance	24-25
Troubleshooting Guide & Error Codes	26
Disposal Information	27

SAFETY INSTRUCTIONS

Please read the following safety information thoroughly and follow it strictly to minimize the risk of fire or explosion, electric shock and to prevent property damage, personal injury or loss of life. Failing to follow these instructions shall void any warranty.

Safety Indicator Key:



WARNING! = indicates a potentially dangerous situation which may result in death or serious injury unless it's avoided.



CAUTION = indicates a potentially dangerous situation which may result in slight or minor injury or damage to property and the environment.

NOTE: = indicates a potentially dangerous situation which may result in slight or minor injury.



WARNING! Electric shock hazard

- If the power cord is damaged, it must be replaced by the manufacturer, its service agent or a qualified technician in order to avoid a hazard.
- If the machine is damaged, it must not be operated unless repaired by the manufacturer, its service agent or a qualified technician.
- The appliance can be used by children aged from 8 years and above and persons with reduced physical, sensory or mental capabilities or lack of experience and knowledge if they have been given supervision or instruction concerning use of the appliance in a safe way and understand the hazards involved. Children shall not play with the appliance. Cleaning and user maintenance shall not be made by children without supervision.
- Children should be supervised so that they do not play with the appliance.
- Children 3 years and under shall be kept away from the appliance or be continuously supervised.
- Animals and children may climb into the machine. Check the machine before every use.
- Do not climb or sit on the appliance.

INSTALLATION LOCATION

- Any washing powders, detergents, tablets or other such substances are to be kept in a safe place out of the reach of children.
- Do not install the machine on a carpet floor to prevent any obstruction of openings which could damage the machine.
- Keep the appliance clear from any heat source and direct sunlight to avoid plastic and rubber parts corroding.
- Do not use the appliance in humid environments.
- The appliance must not be installed behind a lockable door, a sliding door or a door with a hinge on the opposite side to that of the washer dryer.
- Do not operate the machine in rooms with a temperature of below 5°C, as this could lead to certain parts being damaged. If it is unavoidable, make sure to drain the water completely from the appliance after every use (see 'Maintenance - Cleaning of drain pump filter') to avoid damages caused by frost.
- Never use flammable sprays or substances in the immediate proximity of the appliance.

INSTALLATION

- Remove all packaging material and transport bolts before using the appliance. Otherwise this could lead to serious damage to the appliance.
- This appliance is equipped with a single inlet valve and can be connected to the cold water supply only.
- Mains plug must be accessible after installation.
- Before washing clothes for the first time, the machine should be run on the cotton program at 90°C without any laundry or detergent inside.
- Before using the washer dryer, the appliance shall be calibrated.
- Do not put any excessively heavy objects on the appliance, like water containers or heating devices.
- Ensure the new hose-sets supplied with the appliance are used and that any existing hose-sets are replaced.
- Max. Inlet water pressure 1 MPa. Min. inlet water pressure 0.05 MPa.

ELECTRICAL CONNECTION

⚠ CAUTION! Make sure the power cord is not trapped by the machine, as this could lead to damages.

- Connect the product to a grounded outlet protected by a fuse complying with the values in the “ Technical specifications “ table. The grounding installation has to be made by a qualified electrician. Ensure that the machine is installed in accordance with the local regulations.
- Water and electrical connections must be carried out by a qualified technician in accordance with the manufacturer’s instructions and local safety regulations.



WARNING!

- **Don’t use multiple plugs or extension cords.**
- **The appliance must not have an external switching device such as a timer or connected to a circuit that is regularly switched on and off.**
- **Do not pull the plug out of the mains outlet if there is flammable gas around.**
- **Never pull out power plug with wet hands.**
- **Always pull at the plug, not at the cable.**
- **Always unplug the appliance if it is not being used.**

WATER CONNECTIONS

- Check the connections of the water inlet tubes, the water tap and the outlet hose for possible problems due to changes of water pressure. If the connections loosen or leak, close the water tap and get it repaired. Do not use the appliance before the pipes and hoses are installed properly by a qualified technician.
- The glass door may become very hot during the operation. Keep children and pets far away from the machine while it is operating.
- The water inlet and outlet hoses have to be safely installed and remain undamaged. Otherwise, water leakage can occur.
- Do not remove the drain pump filter while there is still water in the appliance. Big quantities of water can leak out, and there is a risk of scalding due to hot water.

OPERATION AND MAINTENANCE

- Never use any flammable, explosive or toxic solvents. Do not use gasoline and alcohol etc. as detergents. Only select detergents that are suitable for machine washing.
- Make sure that all pockets are emptied. Sharp and rigid items such as coins, brooches, nails, screws, stones etc. may cause serious damage to this machine.
- Remove all objects from pockets such as lighters and matches before using the appliance.
- Thoroughly rinse items that have been washed by hand.
- Items that have been soiled with substances such as cooking oil, acetone, alcohol, petrol, kerosene, spot removers, turpentine, wax and wax removers should be washed in hot water with an extra amount of detergent before being washed in the appliance.
- Items containing foam rubber (latex foam), shower caps, water proof textiles, rubber backed articles and clothes or pillows fitted with foam rubber pads should not be washed in the machine
- Fabric softeners or similar products should be used as recommended in their instructions.
- Never try to open the door forcefully. The door will unlock shortly after the end of a cycle.
- Please do not close the door with excessive force. If it is difficult to close the door, please check if the clothes are properly inserted and distributed within the drum.
- Always unplug the appliance and close the water tap before cleaning and maintenance and after each use.
- Never pour water over the appliance for cleaning purpose. Risk of electric shock!
- Repairs shall only be carried out by the manufacturer, its service agent or a qualified technician in order to avoid a hazard. The manufacturer will not be held responsible for any damages caused due to attempted repairs carried out by unqualified persons.

TRANSPORT

- Before Transport:
 - Bolts shall be reinstalled to the machine by a qualified technician
 - Accumulated water shall be drained out of the machine

⚠ CAUTION! This appliance is heavy. Transport with care. Never hold any protruding part of the machine when lifting. The machine door cannot be used as a handle.

INTENDED USE

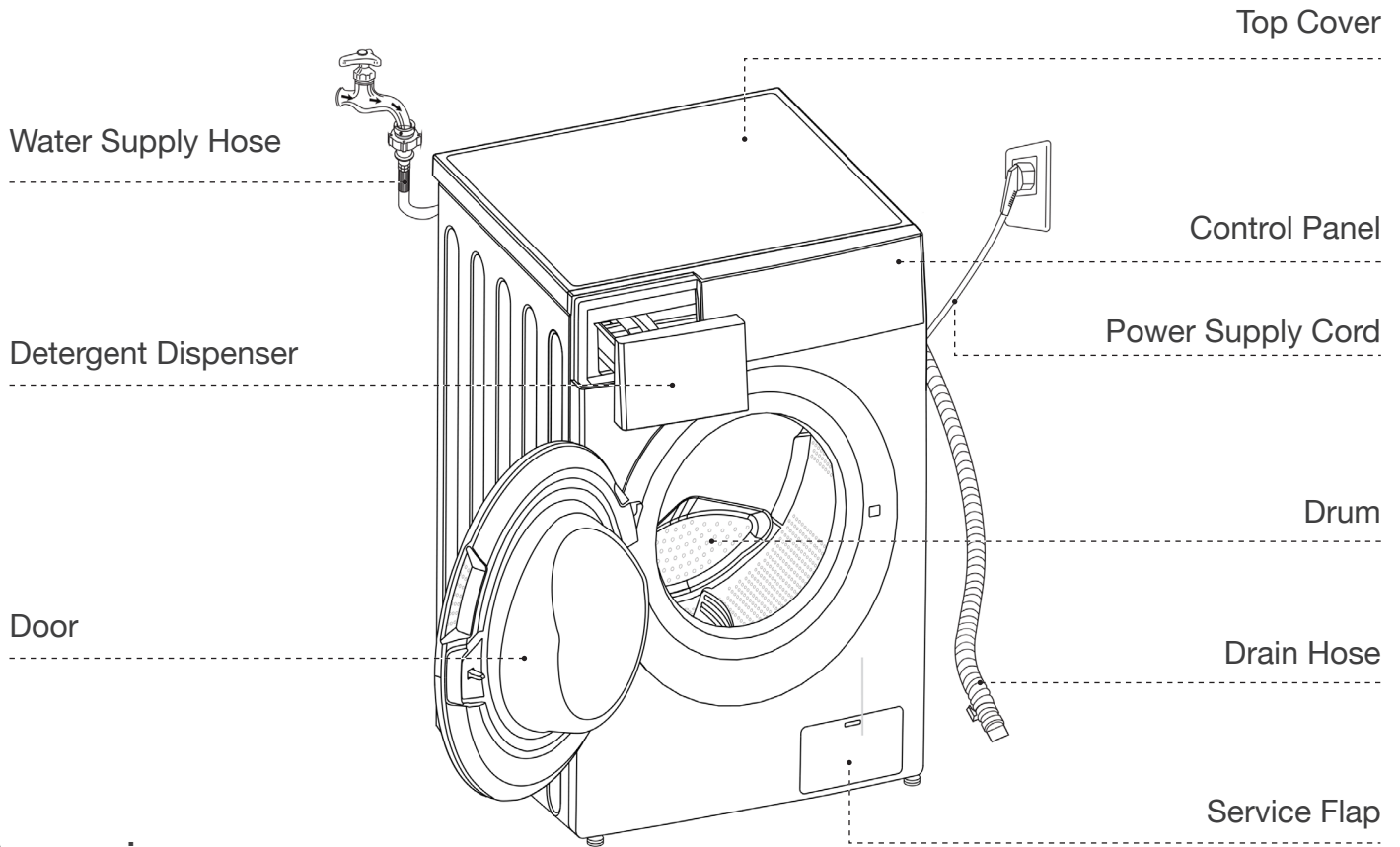
- The product is intended only for home use and for textiles in household amounts suitable for machine washing. This appliance is for indoor use only. Only use according to these instructions. The appliance is not intended for commercial use.
- Any other use is considered as improper use. The manufacturer is not responsible for any damage or injuries that may be caused as a result.
- This appliance is intended to be used in household and similar applications such as:
 - Staff kitchen areas in shops, offices and other working environments;
 - Farm houses;
 - Bed and breakfast type environments;
 - Areas for communal use in blocks of flats or in launderettes.

PACKAGING/OLD APPLIANCE



This marking indicates that this product should not be disposed with other household wastes throughout the EU and UK. To prevent possible harm to the environment or human health from uncontrolled waste disposal, recycle it responsibly to promote the sustainable reuse of material resources. To return your used device, please use the collection systems or contact the retailer where the product was purchased. This will help to ensure that the appliance is recycled in an environmentally safe manner.

PRODUCT OVERVIEW

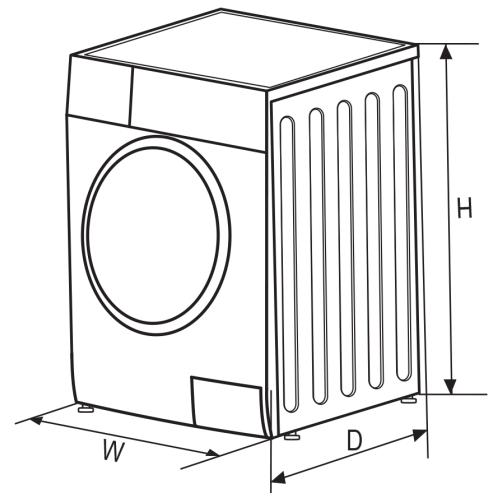


Accessories



TECHNICAL SPECIFICATION

Model	BXD0806
Power Supply	220-240V~,50Hz
MAX. Current	10A
Standard Water Pressure	0.05MPa~1MPa
Washing Capacity	8.0kg
Drying Capacity	6.0kg
Dimensions (mm)	H:825 x W:595 x D:540
Net Weight	64kg
Rated Power	1900W
Drying Power	1300W



PRODUCT FICHE

Supplier's name or trade mark ^(a) ^(d) : Statesman					
Supplier's address ^(a) ^(d) : 38 Bluestem Road, Ransomes Industrial Estate, Ipswich, Suffolk, IP3 9RR					
Model Identifier ^(a) : BXD0806					
General product parameters:					
Parameter	Value		Parameter	Value	
Rated capacity (kg)	Rated capacity ^(c)	6.0	Dimensions in cm ^(a) ^(d)	Height	83
	Rated washing capacity ^(c)	8.0		Width	60
				Depth	54
Energy efficiency index	EEI _w ^(c)	60.0	Energy efficiency class	EEI _w ^(c)	B ^(c)
	EEI _{wd} ^(c)	78.4		EEI _{wd} ^(c)	E ^(c)
Washing efficiency index	I _w ^(c)	1.031	Rinsing effectiveness (g/kg dry textile) ^(c)	I _R ^(c)	5.0
	J _w ^(c)	1.031		J _R ^(c)	5.0
Energy consumption in kWh per kg per cycle, for the washing cycle of the household washer-dryer, using the eco 40-60 program at a combination of full and partial loads. Actual energy consumption will depend on how the appliance is used.	0.545		Energy consumption in kWh per kg per cycle, for the wash and dry cycle of the household washer-dryer, using the eco 40-60 program at a combination of full and half loads. Actual energy consumption will depend on how the appliance is used.	3.6000	
Water consumption in litre per cycle, for the eco 40-60 program at a combination of full and partial loads. Actual water consumption will depend on how the appliance is used and on the hardness of the water	48		Water consumption in litre per cycle, for the wash and dry cycle of the household washer-dryer at a combination of full and half loads. Actual water consumption will depend on how the appliance is used and on the hardness of the water	90	
Maximum temperature inside the treated textile (°C) for the washing cycle of the household washer-dryer, using the eco 40-60 program	Rated washing capacity	38	Maximum temperature inside the treated textile (°C) for the washing cycle of the household washer-dryer, using the wash and dry cycle	Rated capacity	39
	Half	38		Half	27
	Quarter	21			
Spin Speed (rpm) ^(c)	Rated washing capacity	1400	Weighted remaining moisture content (%) ^(c)	53.9	
	Half	1400			
	Quarter	1400			
Eco 40-60 program duration (h:min)	Rated washing capacity	3:38	Spin-drying efficiency class ^(c)	B ^(c)	
	Half	2:48			
	Quarter	2:48			
Airborne acoustical noise emissions during the spinning phase for the eco 40-60 washing cycle at rated washing capacity (dB(A) re 1 pW)	76		Wash and dry cycle duration (h:min)	Rated capacity	9:30
				Half	6:40
Type	Built-in		Airborne acoustical noise emission class for the spinning phase for the eco 40-60 program at rated washing capacity	B ^(c)	
Off-Mode (W) (if applicable)	0.50		Standby Mode (W) (if applicable)	1.00	
Delay Start (W) (if applicable)	4.00		Networked standby (W) (if applicable)	N/A	
Minimum duration of the guarantee offered by the supplier ^(a) ^(d)					
This product has been designed to release silver ions during the washing cycle			NO		
Additional information ^(a) ^(d) :					
Weblink to the supplier's website, where the information in point 9 of Annex II to Commission Regulation (EU) 2019/2023 (1) is found:					
^(e) this item shall not be considered relevant for the purposes of Article 2(6) of Regulation (EU) 2017/1369					
^(f) for the eco 40-60 programme					
^(g) for the wash and dry cycle					
^(h) changes to this item shall not be considered relevant for the purposes of paragraph 4 of Article 4 of Regulation (EU) 2017/1369					
⁽ⁱ⁾ if the product database automatically generates the definitive content of this cell the supplier shall not enter these data					

NOTE:

- The actual energy consumption will depend on how the appliance is used.
- The actual water consumption will depend on how the appliance is used and on the hardness of the water.

Product Data Sheet concerning (EU) 2019/2014

The product data sheet for your appliance can be found online.

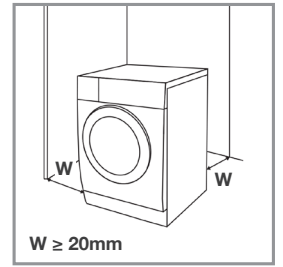
Go to <https://eprel.ec.europa.eu> and enter the model identifier for your appliance to download the data sheet.

The model identifier for your appliance can be found in the technical specifications section.

INSTALLATION

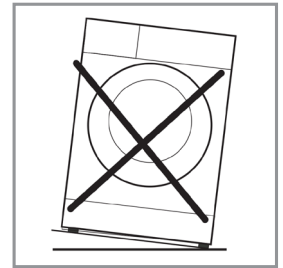
WARNING!

- **Stability is important to prevent the product from moving. Make sure the machine is level and stable.**
- **Make sure that the product does not stand on the power cord.**
- **Make sure to maintain the minimum distances from the walls as shown in the picture.**



Before installing the machine, the location characterised as follows shall be selected:

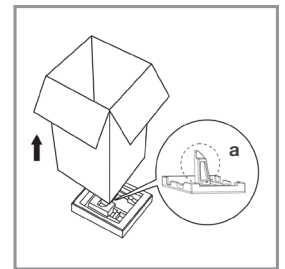
1. Rigid, dry, and level surface
2. Avoid direct sunlight
3. Sufficient ventilation
4. Room temperature is above 0°C
5. Keep far away from any heat sources such as coal or gas burning appliances.



UNPACKING THE WASHER DRYER

WARNING!

- **Packaging material (e.g. Films, Styrofoam) can be dangerous for children.**
- **There is a risk of suffocation! Keep all packaging well away from children.**



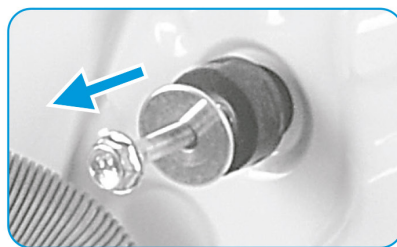
1. Remove the cardboard box and Styrofoam packing.
2. Lift the washer dryer and remove the base packaging. Make sure the small triangle foam (a) is removed with the bottom packaging together. If not, lay the unit down on the side surface and remove it manually.
3. Remove the tape securing the power supply cord and drain hose.
4. Remove the inlet hose from the drum.

REMOVE TRANSPORT BOLTS

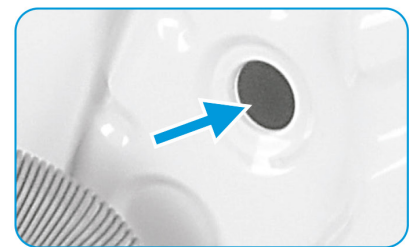
WARNING! You must remove the transport bolts from the back of the machine before use.



Loosen the 4 transport bolts with a spanner.



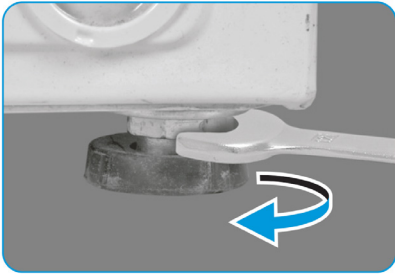
Remove the bolts including the rubber parts and keep them for future use.



Close the holes using the cover caps.

LEVELLING THE WASHER DRYER

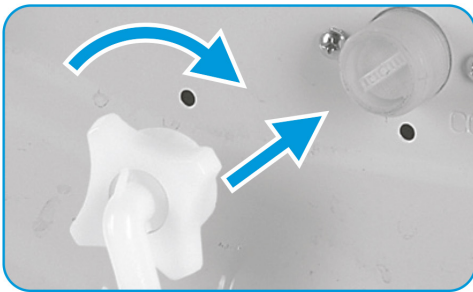
⚠ WARNING! The lock nuts on all four feet must be screwed tightly against the housing.



1. Loosen the lock nut.
2. Turn the foot until it reaches the floor.
3. Adjust the legs and lock the nuts with a spanner. Make sure the machine is level and steady.

CONNECT THE WATER SUPPLY HOSE

⚠ WARNING! To prevent leakage or water damage, follow the instructions in this chapter. Do not kink, crush or modify water inlet hose.



Connect the water supply hose to the water inlet valve and a water tap with cold water as indicated.

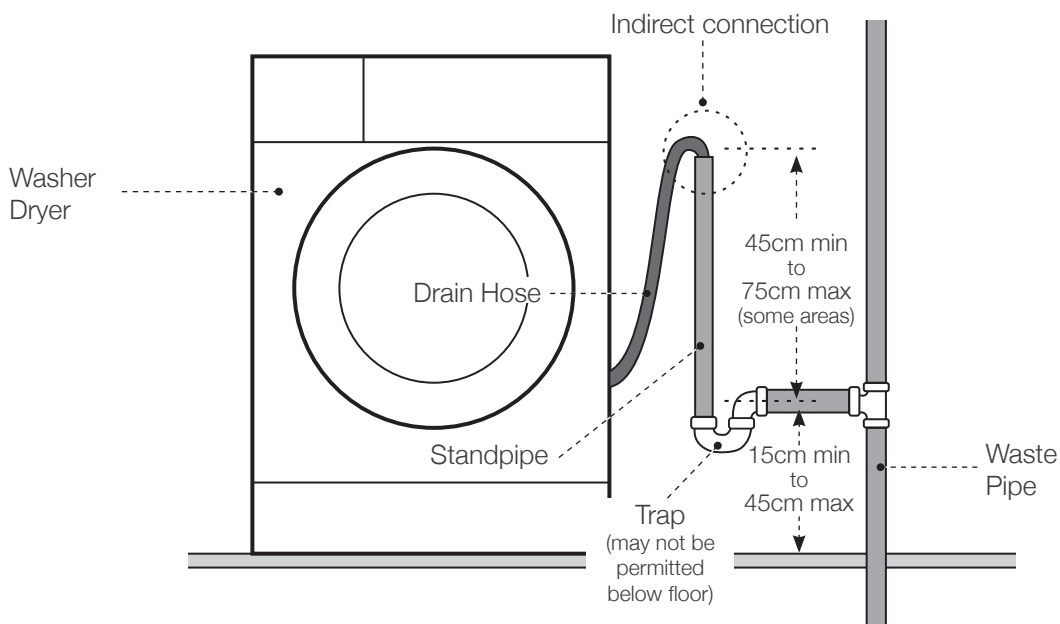


NOTE: Connect manually, do not use tools. Check if the connections are tight.

DRAIN HOSE

⚠ WARNING! Do not kink or protract the drain hose. Position drain hose properly, otherwise damage might be a result of water leakage.

Connect the end of the drain hose as per the diagram below:



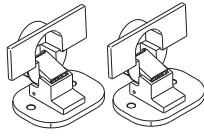
BUILT-IN INSTALLATION

Appendix

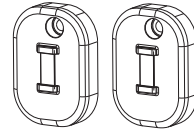
Self-tapping screws



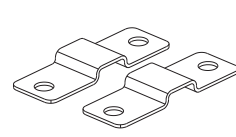
Hinges



Counter magnet



Spacer

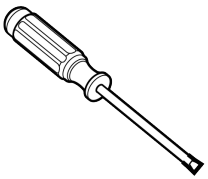


Fixed position paper



Tools Required (not supplied)

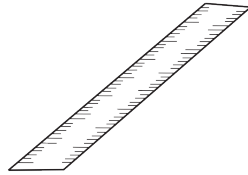
Screw driver



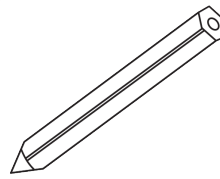
Automatic driver



Ruler

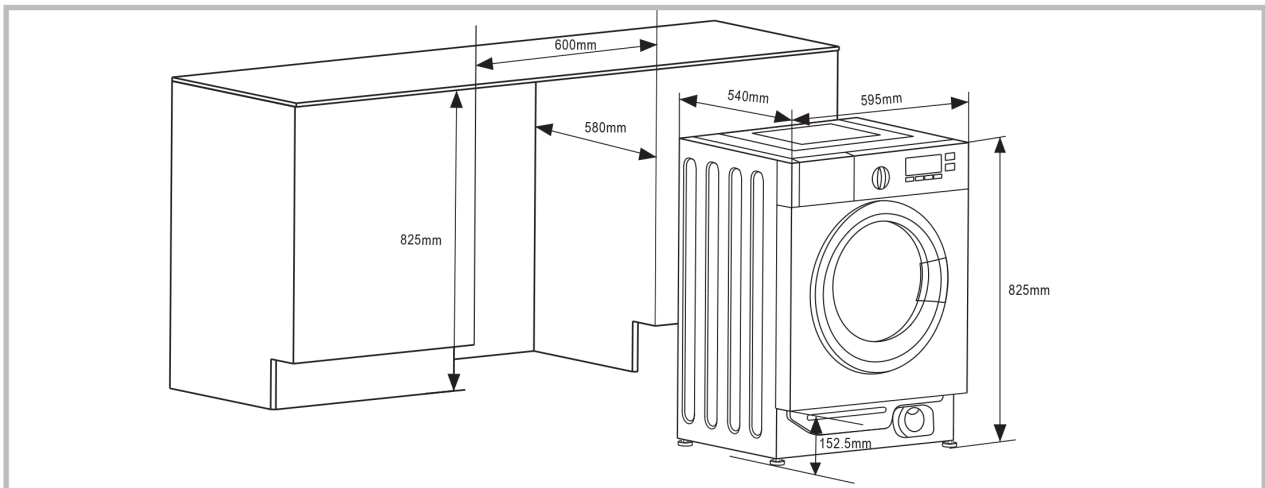


Pencil

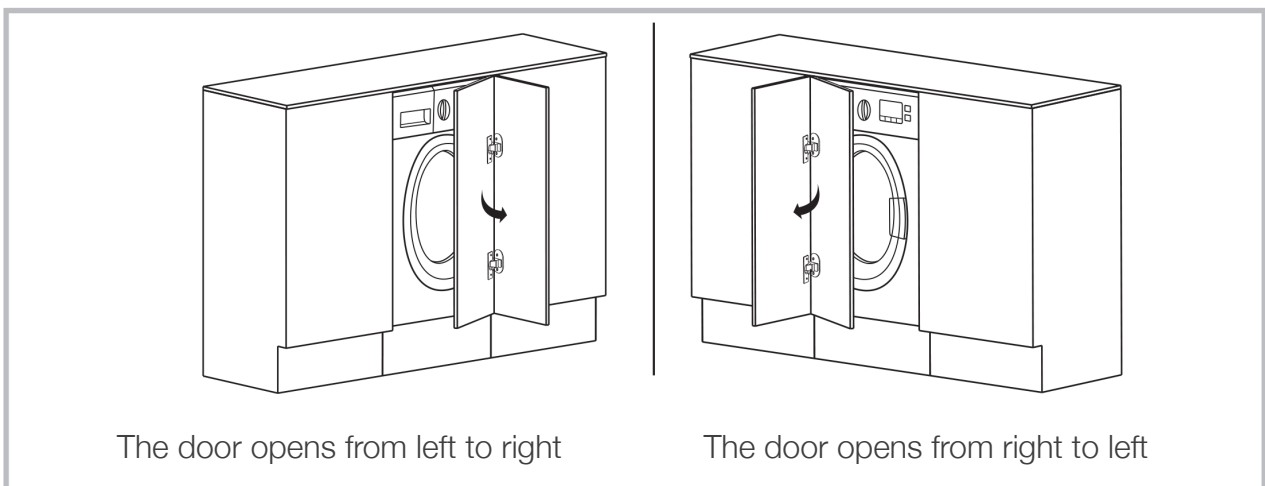


Install Steps

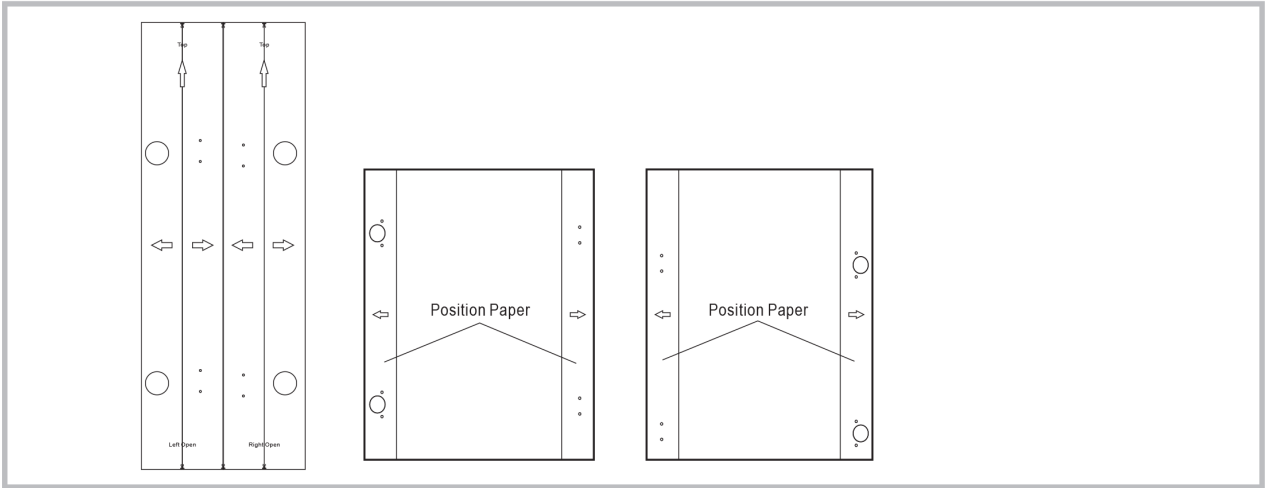
Overview:



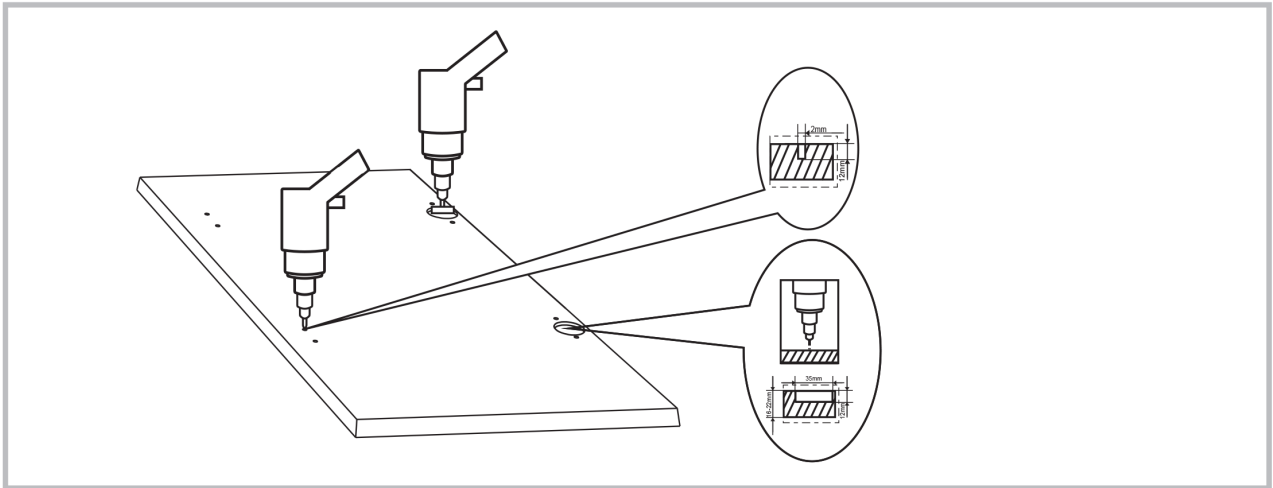
Preparation and assembly of the door:



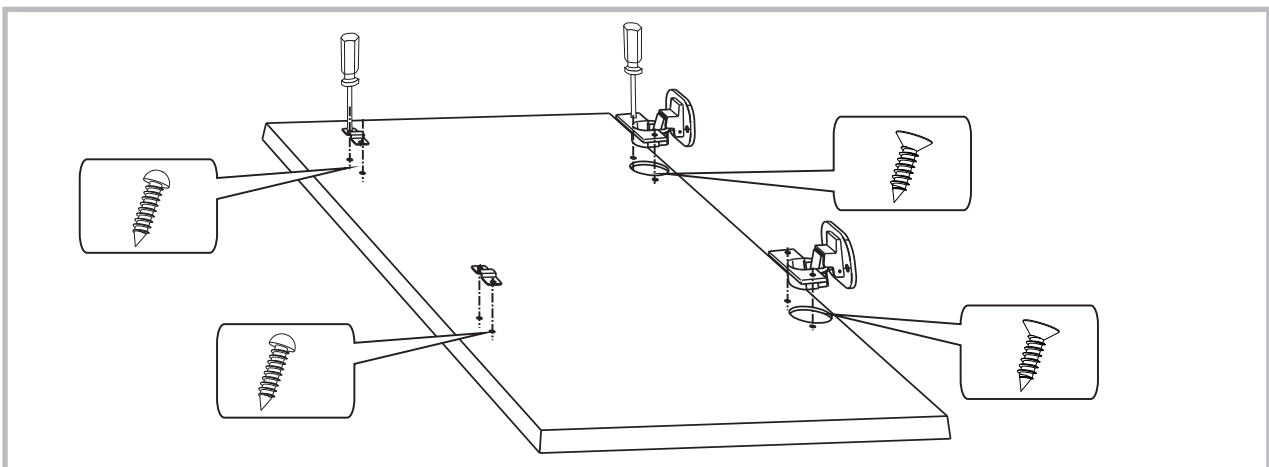
1. Once the opening direction of the door has been decided, fix the corresponding position paper accordingly



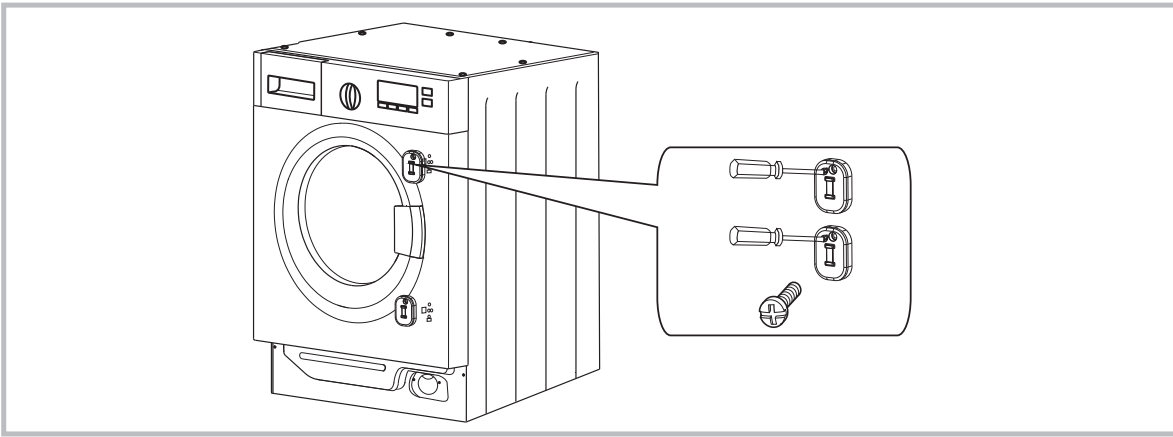
2. Drill holes in the door



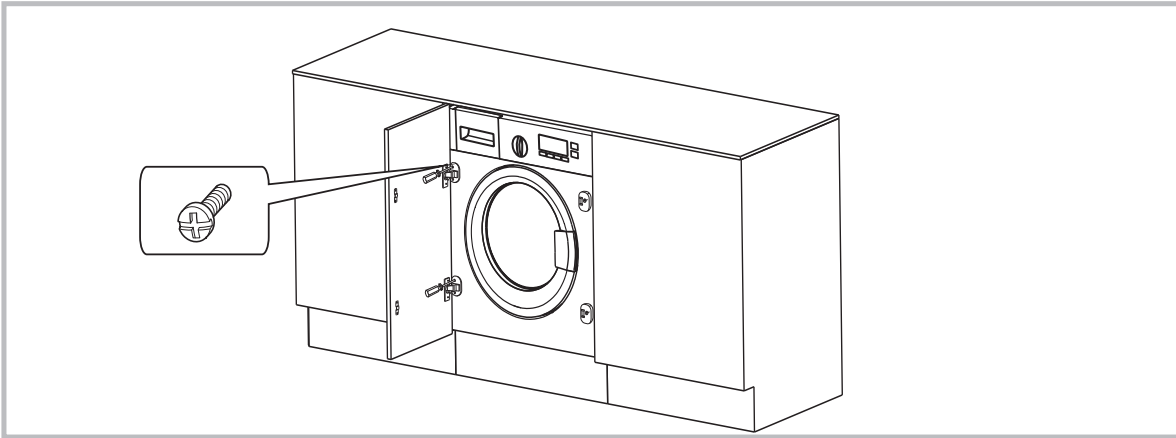
3. Install the hinges and spacer to the door and then fix the door to the machine



1. Install the counter magnets



2. Check that the door opens and closes correctly before using the appliance for the first time.



! **WARNING!** When installing the appliance ensure that the hoses are placed in either of the two recesses on the back of the machine. This will help to prevent the hoses from becoming kinked or trapped.

OPERATING INSTRUCTIONS

QUICK START

⚠ CAUTION!

- Before washing, please make sure the washer dryer is installed properly.
- Your appliance was thoroughly checked before it left the factory. To remove any residual water and to neutralise potential odours, it's recommended to clean your appliance before first use. For this reason, start the Cotton program at 90°C without laundry and detergent.

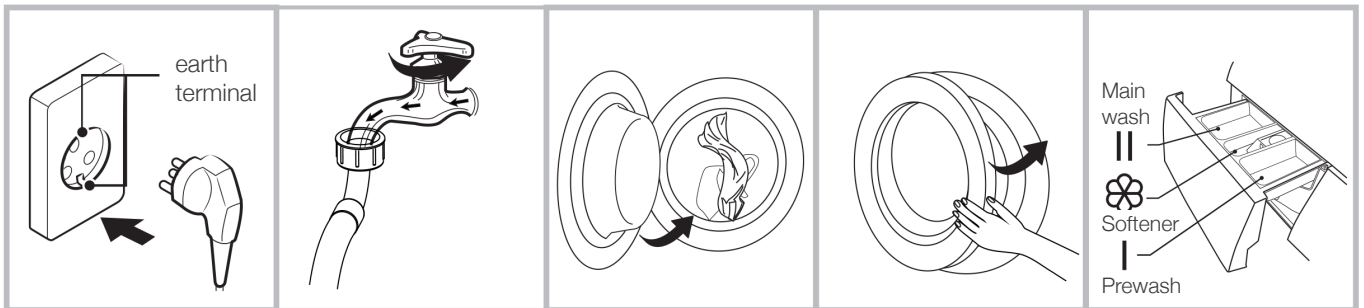
CALIBRATION

It's recommended to calibrate the washer dryer, so that provide the best performance.

The appliance is able to detect the amount of laundry loaded. This function is optimizing the product performance by minimizing energy and water consumption, saving you money and time. For this reason it's recommended to calibrate the appliance for best use.

1. Remove all accessories from the drum and close the door;
2. Insert the mains plug to the socket;
3. Switch on the washer dryer and press "Speed" and "Delay" simultaneously for 10 seconds until "t19" is displayed;
4. Press [▶||] to start the appliance and wait till "****" is displayed.
5. The machine MFG60-S1210/C20E-EU(NE) does not need calibrate, so step 1 to step 4 can be skipped.

1. BEFORE WASHING



Plug in

Open tap

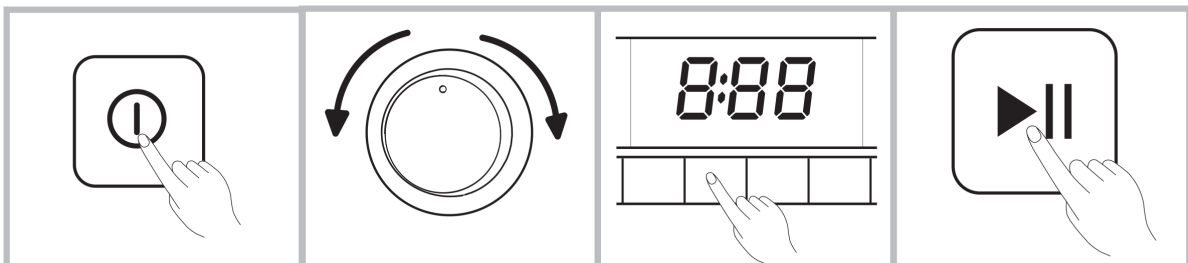
Load

Close door

Add detergent

NOTE: Detergent only needs to be added in compartment I if the pre-wash function is selected.

2. WASHING



Power On

Select program

Select function

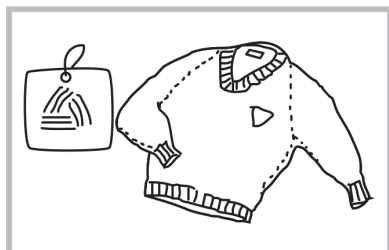
Press Start/Pause to start the program

3. AFTER WASHING

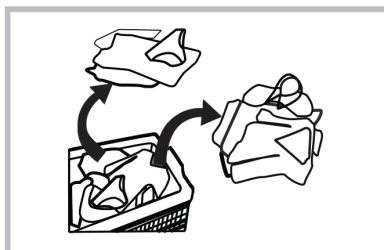
An alert will sound and "End" will appear on the display

BEFORE EACH WASH

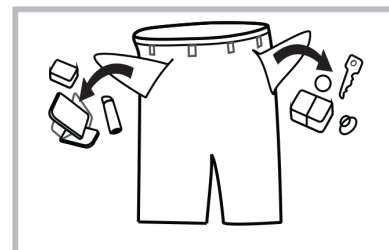
- The ambient temperature of the washer dryer should be 5-40°C. If used under 0°C, the inlet valve and draining system may be damaged. If the machine is installed in conditions below freezing, it should be transferred to normal ambient temperature to ensure the water supply hose and drain hose can unfreeze before use.
- Please check your laundry care labels and the detergent use instructions before washing. Use non-foaming or less-foaming detergent suitable for machine washing.



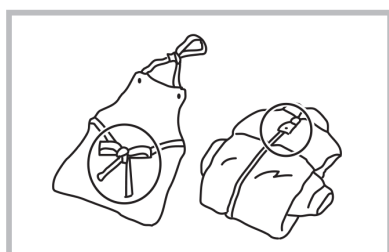
Check the care label



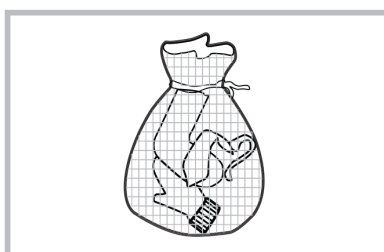
Sort laundry according to color and textile type



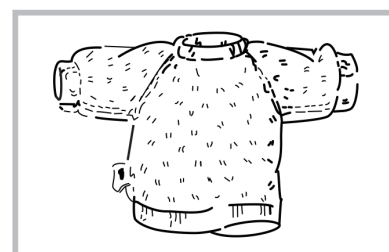
Take all items out of pockets



Tie together long textile strips and belts, close zips and buttons



Put small items into a laundry bag



Turn easy-piling and long-pile fabric inside out

WARNING!


- **Do not wash or dry articles that have been cleaned in, washed in, soaked in, or dabbed with combustible or explosive substances like wax, oil, paint, gasoline, alcohol, kerosene, and other flammable materials.**
- **Washing single clothes items may easily create create unbalance in the machine. Therefore it is suggested to add one or two more laundry items to the wash so that the spin can be done smoothly.**

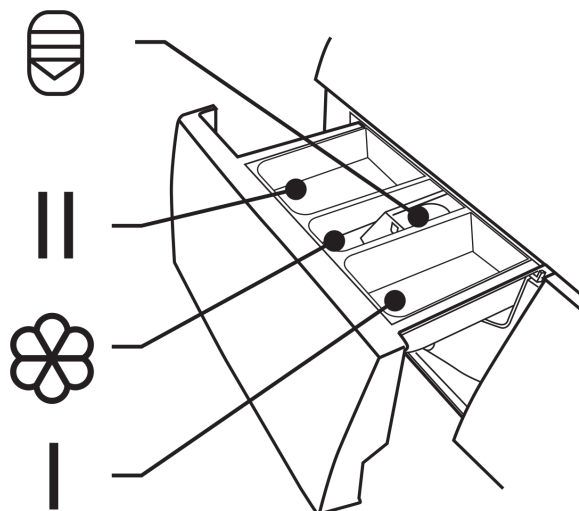
DETERGENT DISPENSER

I Pre wash


II Main wash


 Softener

 Release button to pull out the dispenser to allow for cleaning purposes



⚠ CAUTION! Detergent only needs to be added in “compartment I “after selecting pre-wash function.

Program	I	II	
Cotton		●	○
1 Hour W/D		●	○
Jeans		●	○
Mix		●	○
Wool		●	○
Rinse & Spin			○
ECO 40-60		●	○
20°C		●	○

Program	I	II	
Dry Only			
Spin Only			
Quick		●	○
Sport Wear		●	○
Baby Care		●	○
Wash and Dry		●	○
Intensive		●	○

● : Required

○ : Optional

DETERGENT RECOMMENDATION

Recommended washing detergent	Wash cycles	Washing temp. (°C)	Type of laundry and textile
Heavy-duty detergent with bleaching agents and optical brighteners	Cotton, ECO 40-60, Intensive	40/60	White laundry made from boil-proof cotton or linen
Colour detergent without bleaching agent and optical brighteners	Intensive, Cotton, ECO 40-60, Mixed, 20°C	20/30/40/60	Coloured laundry made from cotton or linen
Color or mild detergent without optical brighteners	20°C, Synthetic	Cold/20/30/40	Coloured laundry made from easy care fibres or synthetic materials
Mild washing detergent	Synthetic	20/30	Delicate textiles, silk, viscose
Special wool detergent	Wool	20/30/40	Wool

NOTE:

Agglomerating or ropy detergent or additive can be diluted in some water before pouring it into the detergent dispenser, to avoid the inlet getting blocked and thus causing a water overflow.

- Please choose a suitable type of detergent to ensure maximum washing performance and a minimum of water and energy consumption
- To achieve the best cleaning result a proper detergent dosing is important.
- Use a reduced detergent amount if the drum is not filled completely.
- Always adjust the amount of detergent to the water hardness, if your tap water is soft, use less detergent.
- Dose according to how dirty your laundry is, less dirty clothes require less detergent.
- Highly concentrated (compact detergent) requires particularly accurate dosing.

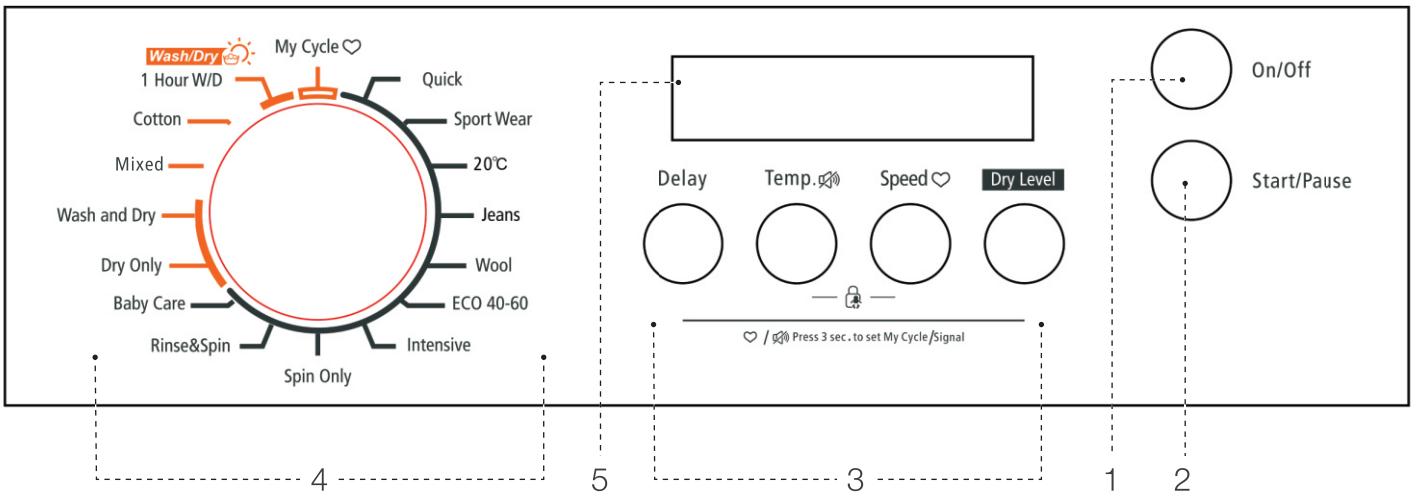
Following symptoms are a sign of detergent overdosing:

- heavy foam formation
- poor washing and rinsing result

Following symptoms are a sign of detergent under dosing:

- laundry turns grey
- built-up of limescale deposits on the drum, the heating element and/or the laundry

CONTROL PANEL



1. Power

Press this button to turn the machine on or off.

2. Start/Pause

Press this button to start or pause the washing cycle.

3. Setting Options

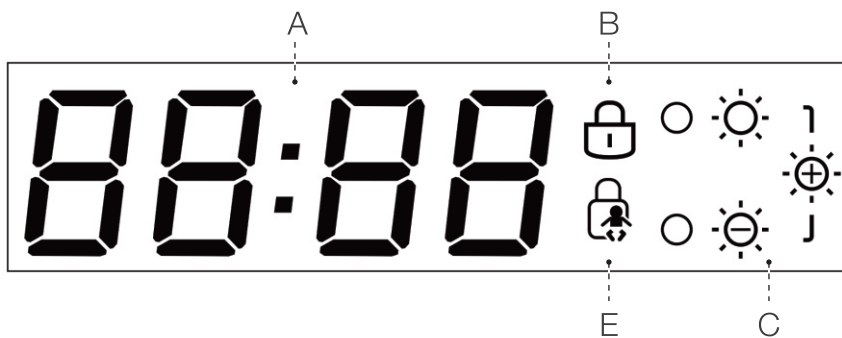
This allows you to select an additional functions and will light when selected.

4. Programs

Available according to the laundry type.

5. Display

The display shows the settings, estimated time remaining, options, and status messages for your machine. The display will remain on through the cycle.



A. Wash Time 1:25 Delay Time 2h Speed 1200 Error E20 End End

B. Door Lock

C. Dry Level: Gentle - Normal - Extra

D. Child Lock

PROGRAMS

Program	Washing/Drying Load (kg)	Temp. (°C)	Display Time (H)
	8.0	Default	8.0
			14:00
Quick	2.0	Cold	0:15
Sport Wear	4.0	40	1:11
20°C	4.0	20	1:01
Jeans	8.0	60	1:45
Wool	2.0	40	1:07
Eco 40-60	8.0	-	3:35
Intensive	8.0	40	3:48
Spin Only	8.0	-	0:12
Rinse & Spin	8.0	-	0:20
Baby Care	8.0	60	1:43
☀ Dry Only	6.0	-	4:14
☀ Wash & Dry	8.0/6.0	-	5:00
☀ Mix	8.0/6.0	40	1:20
☀ Cotton	8.0/6.0	40	3:49
☀ 1 Hour W/D	1.0/1.0	Cold	0:58

NOTE: The parameters in this table are only for user's reference. The actual parameters may be different with the parameters in above mentioned table.

- The programme with ☀ can be chosen dry function.

Cycle	Nominal capacity (kg)	Temperature setting	Cycle duration (H:M)	Energy consumption (kWh / operating cycle)	Water consumption (L / operating cycle)	Highest temperature (°C ¹)	Residual moisture (% / spin speed ²)
Quick 15	2.0	Cold	0:15	0.030	40.0	Cold	70%/800
20°C	4.0	20	1:01	0.183	44.0	20	65%/1000
Intensive	8.0	40	3:48	1.013	71.0	40	70%/800
Mixed	8.0	40	1:20	0.754	71.0	40	70%/800
Cotton	8.0	60	3:54	1.515	71.0	60	53%/1400
Eco 40-60 ³	8.0	-	3:38	0.871	64.0	38	53%/1400
	4.0	-	2:48	0.530	46.3	38	53%/1400
	2.0	-	2:48	0.205	33.4	21	53%/1400
Wash & Dry	6.0	-	9:30	4.400	108.4	39	0%/1400
	3.0	-	6:40	2.400	63.5	27	0%/1400

- The above data is for reference only, and the data may change due to different actual use conditions.
 - The values given for programmes other than the ECO 40-60 programme and the Wash and Dry cycle are indicative only.
 - Concerning to EN 60456:2016 With (EU)No.1061/2010,
The EU energy efficiency class is: A
Energy test program: Intensive; Speed:The highest speed; Temp.: 60/40°C; Other as the default.
Half load for 8.0Kg machine:4.0Kg.
 - Concerning to EN 60456:2016/prA2019 With (EU)2019/2014, (EU)2019/2023,
The EU Wash energy efficiency class is B, Energy test program: ECO 40-60;
The EU Wash and dry energy efficiency class is E,Energy test program: Wash and Dry; Extra Dry. Half load for 8.0Kg machine:4.0Kg.
Quarter load for 8.0Kg machine:2.0Kg.
1. The highest temperature reached by the laundry in the wash cycle for at least 5 minutes.
 2. Residual moisture after the wash cycle in water content percentage and the spin speed at which this was achieved.
 3. The ECO 40-60 programme is able to clean normally soiled cotton laundry declared to be washable at 40°C or 60°C, together in the same cycle. This programme is used to assess the compliance with the regulation (EU) 2019/2023.
 4. The Wash and Dry programme, dry level setting ☼ Extra Dry is able to clean normally soiled cotton laundry declared to be washable at 40°C or 60°C, together in the same cycle, and to dry it in such a way that it can be immediately stored in a cupboard. This programme is used to assess the compliance with the regulation (EU) 2019/2023.

The most efficient programmes in terms of energy consumption are generally those that perform at lower temperatures and longer duration.






Loading the household washer-dryer up to the capacity indicated for the respective programmes will contribute to energy and water savings.

Noise and remaining moisture content are influenced by the spinning speed: the higher the spinning speed in the spinning phase, the higher the noise and the lower the remaining moisture content.

PROGRAMS

Programs are available according to the laundry type.

PROGRAMS	DESCRIPTIONS
Cotton	Use for washing hard-wearing textiles, heat-resistant textiles made of cotton or linen.
Baby Care	Use for washing baby's clothes. Additional rinsing ensures excess detergent that could be irritating to baby's skin is removed from laundry.
Jeans	Use for washing jeans.
Mixed	Use for washing mixed loads consisting of textiles made of cotton and synthetics.
Sport Wear	Use for washing the activewear.
Quick	Extra short program which is suitable for washing small amounts of lightly soiled laundry
Wool	Use for washing hand or machine-washable wool or richwool textiles. Especially gentle wash programme to prevent shrinkage, longer programme pauses (textiles rest in washing liquid).
Spin Only	Extra spin with selectable spin speed.
Rinse & Spin	Extra rinse with spin.
Dry Only	Select it to dry clothes, the temperature is different .The drying time according to the load.
1Hour W/D	For small synthetic clothes or shirts, load limitation is 1kg (about 4 shirts). Time duration is only 1 hour including wash and dry. NOTE: Big towels or jeans are not suitable for this program as they will extend the duration of the program and affect the moisture content
ECO 40-60	Use for washing brightly coloured clothes as it can protect the colors better. Default 40°C,not selectable,suitable for laundry washing at about 40°C-60°C.
Intensive	To increase the washing effects, washing time is increased.
20°C	20°C default, can choose cold water.
Wash & Dry	The standard energy programme.

Cycle	Default Temp. (°C)	Default Spin Speed (rpm)	Additional Functions
Wash Cycles		1400	
Quick	Cold	800	Delay
Sport Wear	40	800	Delay
20°C	20	1000	Delay
Jeans	60	1000	Delay
Wool	40	600	Delay
Eco 40-60	-	1400	Delay
Intensive	40	800	Delay
Spin Only	-	1000	Delay
Rinse & Spin	-	1000	Delay
Baby Care	60	800	Delay
Dry Only	-	1400	Delay 
Wash & Dry	-	1400	Delay 
Mix	40	800	Delay 
Cotton	40	1400	Delay 
1 Hour W/D	Cold	1400	Delay 

NOTE:

- For the maximum spin speed, program time, and other details of the ECO 40-60 and Wash and Dry programs, please refer to the content on the Product Fiche page.

FUNCTIONS



Delay

Set the Delay function:

1. Select a program
2. Press the Delay button to choose the time(the delaying time is 0-24 H.)
3. Press [Start/Pause] to commence the delay operation



On/Off



Choose the program



Setting time



Start

Cancel the Delay function:

Press the [Delay] button until the display be 0H. It should be pressed before starting the program. If the program has already started, press the [On/Off] button to reset the program.

⚠ CAUTION!

If there is any break in the power supply while the machine is operating, a special memory stores the selected program and when the power is restarted, press the [On/Off] button the program will continues.



My Cycle

Memorises the frequently used programs

Press [♥] 3sec. to memorise the running program. The default is cotton.



Child Lock

To avoid mis operation by children.



On/Off



Start/Pause



Press [Temp.] and [Speed] 3 sec. till alert sounds.

⚠ CAUTION!

- Press the two button 3sec. also to be released the function.
- The “Child Lock” will lock all buttons except [On/Off].



Speed

When needed, the spinning speed can be adjusted by pressing the Speed button in the following steps: 1400: 0-400-600-800-1000-1200-1400

⚠ CAUTION! When the speed function lights are off it means the spin speed is 0.



Temp.

Press the button to regulate the temperature (Cold,20°C,30°C, 40°C,60°C,90°C)



Mute the Alert Sound



On/Off



Start/Pause



Press the [Temp.] button for 3sec. the alert sound is mute.

! CAUTION! After muting the alert sound function, the sounds will not be activated any more.



Dry Level

Press the Dry Level button continuously to choose the dry level: Extra Dry/Normal Dry/Gentle Dry.



Extra Dry: use for drying clothes that are needed to be worn immediately



Normal Dry: use for standard drying



Gentle Dry: use for gently drying clothes and other laundry

DRYING HINTS:

- Clothes could be dried after spinning
- To ensure laundry is dried effectively, separate clothes according to their different types and required drying temperatures
- Synthetic should be set with the proper drying time .
- Clothes not suitable for drying:
 - Particularly delicate items such as synthetic curtains,woolen and silk, clothes with metal inserts,nylon stockings,bulky clothes,such as anoraks,bedcovers,quilts,sleeping bags and duvets must not be dried.
 - Clothes padded with foam-rubber or materials similar to foam-rubber must not be machine dried.
 - Fabrics containing residues of setting lotions or hair sprays, nail solvents or similar solutions must not be machine dried in order to avoid the formation of harmful vapours.

CLEANING & MAINTENANCE

⚠ WARNING! Always unplug the appliance and close the water tap before cleaning and maintenance.

CLEANING THE CABINET

Proper maintenance on the washer dryer can extend its working life. The surface can be cleaned with diluted non-abrasive neutral detergents when necessary. If there is any water overflow, use a cloth to wipe it off immediately. Never use sharp items to clean the appliance.



⚠ CAUTION! Never use abrasive or caustic agents, formic acids or its diluted solvents or similar substances, like alcohol or chemical products.

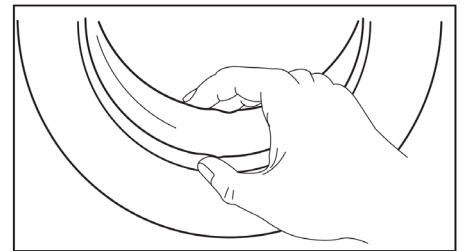
CLEANING THE DRUM

Any rust stains left inside the drum by metal articles must be removed immediately using chlorine-free detergents. Never use steel wool for cleaning the drum!

NOTE: Keep any laundry away from the machine while cleaning the drum.

CLEANING THE DOOR SEAL AND GLASS

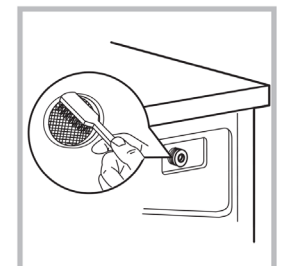
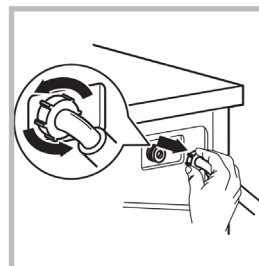
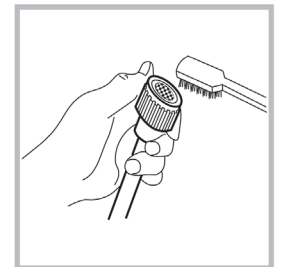
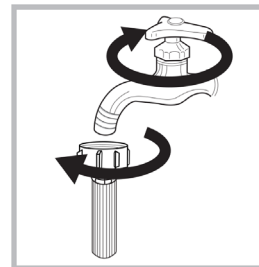
Wipe the glass and seal after each wash to remove lint and stains. If lint builds up it can cause leakages. Remove any coins, buttons and other objects from the seal after each wash. Clean the Door Seal and Glass every month to ensure the normal operation of the appliance.



CLEANING THE INLET FILTER

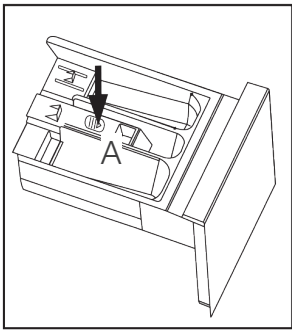
NOTE: Diminishing water flow is a sign that the filter need to be cleaned.

1. Close the tap and remove the water supply hose from it.
2. Clean the filter with a brush.
3. Unscrew the water supply hose from the backside of the machine. Pull out the filter with long nose pliers.
4. Use a brush to clean the filter.
5. Reinstall the filter to the water inlet and reconnect the water supply hose.
6. Clean the Inlet filter every 3 months to ensure the normal operation of the appliance.

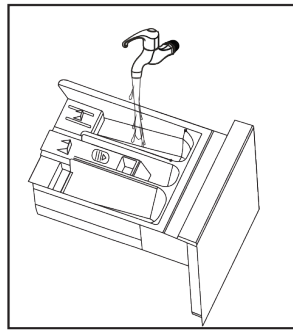


CLEAN THE DETERGENT DISPENSER

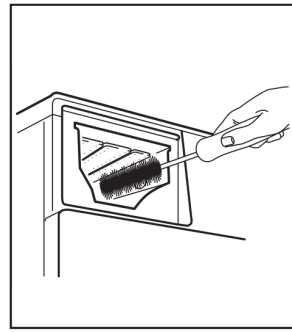
1. Press down the arrow location on softener cover inside the dispenser drawer.
2. Lift the clip up and take out softener cover and wash all grooves with water.
3. Restore the softener cover and push the drawer into position.



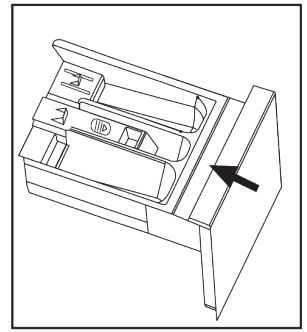
Pull out the dispenser drawer by pressing on release clip A



Clean the dispenser drawer with water



Clean inside the recess with an old toothbrush



Insert the dispenser drawer

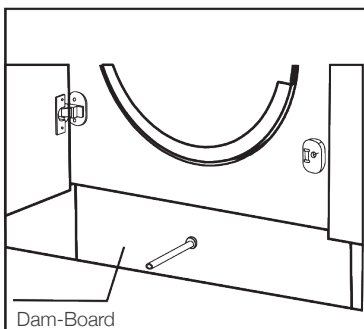
NOTE:

- Do not use abrasive or caustic agents to clean plastic parts.
- Clean the detergent dispenser every 3 months to ensure the normal operation of the appliance.

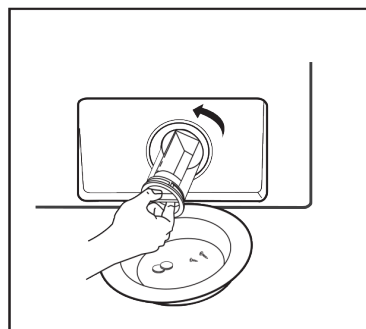
CLEANING THE DRAIN PUMP FILTER

WARNING!

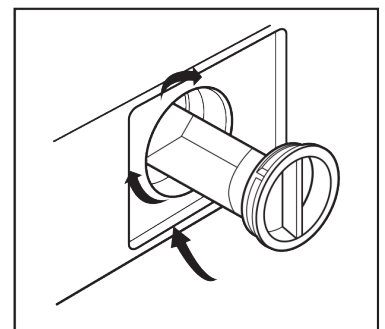
- **Be careful of the hot water!**
- **Allow detergent solution to cool down.**
- **Unplug the machine to avoid electrical shock before washing.**
- **The drain pump filter can filter yarns and small foreign matters from the wash cycle.**
- **Clean the filter periodically to ensure the normal operation of the machine.**
- **Clean the filter periodically every 3 months to ensure the normal operation of the appliance.**



After the power is disconnected, pull out the Dam-Board.



Turn the filter down as shown above and take out debris.



Reinstall each part after any debris is removed.

- ⚠ CAUTION!** Make sure emergency drain hose cap and the emergency drain hose are reinstalled properly, otherwise water may leak.

TROUBLESHOOTING GUIDE

If you are having problems with your appliance, please use our troubleshooting guide below. If you are unable to resolve the issue using this guide, please ring our Customer Service Department on 0844 848 5861. Please have the model code and purchase information available.

DESCRIPTION	POSSIBLE CAUSE	SOLUTION
Appliance does not start	Door is not closed properly.	Close the door properly and restart.
	Clothes are stuck.	Check the laundry.
Door can't be opened	Safety protection is activated.	Disconnect the power and restart.
Water leakage	Connections are not tight enough.	Check and fasten the water inlet pipe. Check and clean the outlet hose.
Detergent residues in the detergent dispenser	Detergent is damp and/or clotted.	Clean and wipe the detergent dispenser dry.
Indicator or display does not work	PC board or harness have connection problems.	Switch off the power and check if the mains plug is connected properly.
Abnormal noise	Fixing bolts still in place.	Check if the fixing bolts have been removed.
	Floor is not solid or level.	Make sure the appliance is installed on a solid and level floor.

ERROR CODES

DESCRIPTION	POSSIBLE CAUSE	SOLUTION
E30	Door is not closed properly	Close the door properly and restart.
E10	Water injecting problem during wash cycle.	Check if the water pressure is high enough. Straighten the water pipe. Clean the inlet valve filter.
E21	Overtime water draining	Check the drain hose for blockage.
E12	Water overflow	Restart the appliance.
EXX	Others	Restart the appliance. If problem persists, please contact customer service.



WARNING! Risk of electric shock

- **Never try to repair an appliance which is defective or presumed to be defective.**
- **You may put your own and future users' lives in danger. Only authorised technicians are allowed to carry out this repair work.**
- **Improper repair will void the warranty and subsequent damages won't be covered.**

Disposal of Old Electrical Appliances

The European Directive 2002/96/EC on Waste Electrical and Electronic Equipment (WEEE), requires that old household electrical appliances must not be disposed of in normal unsorted municipal waste. Old appliances must be collected separately in order to optimise the recovery and recycling of the materials they contain and reduce the impact on human health and the environment. The crossed out “wheeled bin” symbol on the product reminds you of your obligation, that when you dispose of the appliance it must be separately collected. Consumers should contact their local authority or retailer for information concerning the correct disposal of their old appliance.



STATESMAN
kitchen appliances

38 Bluestem Road, Ransomes Europark Ipswich, IP3 9RR

Castle Electrical Factors Ltd., Dundalk, A91 KA9R, IR

0844 848 5861