

STATESMAN

kitchen appliances



F01554FFW
152CM HIGH 50/50 FROST FREE
FRIDGE FREEZER WHITE

Instruction Manual

Please read these instructions carefully before use and retain for future reference.
Before switching on your appliance – always check for any damage that may have been caused in transit.









CONTENTS

Important Safety Instructions	3-6
Specification.....	7
Appliance Overview.....	8
Installation	9-10
Operating Instructions.....	11-17
Cleaning and Maintenance.....	18
Shipment and Repositioning	19
Trouble Shooting Guide.....	20-21
Fuse Replacement	22
Disposal Information	22
Statesman Warranty Information.....	23

IMPORTANT SAFETY INSTRUCTIONS

Read and follow all of the instructions even if you feel you are familiar with the product, and find a place to keep this manual handy for future reference.

IMPORTANT: This product is intended for domestic use only; to store and freeze food products only. When using electrical appliances, basic safety precautions should always be followed:

-  **WARNING:** Keep ventilation openings, in the appliance enclosure or in the built-in structure, clear of obstruction.
 -  **WARNING:** Do not use mechanical devices or other means to accelerate the defrosting process, other than those recommended by the manufacturer.
 -  **WARNING:** Do not use electrical appliances inside the food storage compartments of the appliance, unless they are of the type recommended by the manufacturer.
 -  **WARNING:** Do not damage the refrigerant circuit.
 -  **WARNING:** When positioning the appliance, ensure the power cord is not trapped or damaged.
 -  **WARNING:** Do not locate multiple portable socket-outlets or portable power supplies at the rear of the appliance.
 -  **WARNING:** In order to avoid any hazards resulting from the instability of the appliance, it must be fixed in accordance with the instructions.
 -  If your appliance uses R600a as a refrigerant (this information will be provided on the label of the cooler) you should take care during transportation and installation to prevent the cooler elements from being damaged. R600a is an environmentally friendly and natural gas, but it is explosive. In the event of a leak due to damage of the cooler elements, move your fridge away from open flames or heat sources and ventilate the room where the appliance is located for a few minutes.
- While carrying and positioning the fridge, do not damage the cooler gas circuit. • Do not store explosive substances such as aerosol cans with a flammable propellant in this appliance.
 - This appliance is intended to be used in household and domestic applications such as:
 - Staff kitchen areas in shops, offices and other working environments.
 - Farm houses and by clients in hotels, motels and other residential type environments.
 - Bed and breakfast type environments.
 - Catering and similar non-retail applications.
 - If the socket does not match the refrigerator plug, it must be replaced by the manufacturer, or a qualified electrician in order to avoid a hazard.
 - A specially grounded plug has been connected to the power cable of your refrigerator.

This plug should be used with a specially grounded socket of 13 amperes. If there is no such socket in your house, please have one installed by a qualified electrician.

- This appliance can be used by children aged from 8 years and above and persons with reduced physical, sensory or mental capabilities or lack of experience and knowledge if they have been given supervision or instruction concerning use of the appliance in a safe way and understand the hazards involved. Children shall not play with the appliance. Cleaning and user maintenance shall not be made by children without supervision.
- Children aged from 3 to 8 years are allowed to load and unload refrigerating appliances. Children are not expected to perform cleaning or user maintenance of the appliance, very young children (0-3 years old) are not expected to use appliances, young children (3-8 years old) are not expected to use appliances safely unless continuous supervision is given, older children (8-14 years old) and vulnerable people can use appliances safely after they have been given appropriate supervision or instruction concerning use of the appliance. Very vulnerable people are not expected to use appliances safely unless continuous supervision is given.
- If the power cord is damaged, it must be replaced by the manufacturer, or qualified personnel, in order to avoid a hazard.
- This appliance is not intended for use at altitudes exceeding 2000m

To avoid contamination of food, please respect the following instructions:

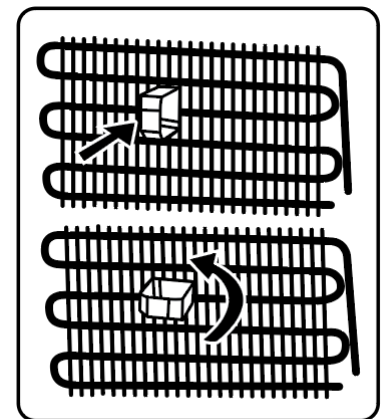
- Opening the door for long periods can cause a significant increase of the temperature in the compartments of the appliance.
- Clean surfaces that regularly come in contact with food and accessible drainage systems
- Store raw meat and fish in suitable containers in the refrigerator, to prevent meat coming into contact with surfaces and dripping onto other food.
- Two-star frozen-food compartments are suitable for storing pre-frozen food, storing or making ice cream and making ice cubes.
- One-, two- and three-star compartments are not suitable for the freezing of fresh food.
- If the refrigerating appliance is left empty for long periods, switch off, defrost, clean, dry, and leave the door open to prevent mold developing within the appliance.

Installation Warnings

Before using your fridge freezer for the first time, please pay attention to the following points:

- The operating voltage for your fridge freezer is 220-240 V at 50Hz.
- The plug must be accessible after installation.
- Your fridge freezer may release an odour when it is operated for the first time. This is normal and the odour will fade when your fridge freezer starts to cool.
- Before connecting your fridge freezer, ensure that the information on the rating label (voltage and connected load) matches that of the mains electricity supply. If in doubt, consult a qualified electrician.
- Insert the plug into a mains power socket with an efficient ground connection. If the socket has no ground contact or the plug does not match, we recommend you
- consult a qualified electrician for assistance.
- The appliance must be connected with a properly installed fused socket.

- The power supply (AC) and voltage at the operating point must match with the details on the rating label of the appliance (the rating label is located on the left, inside the appliance).
- We do not accept responsibility for any damages that occur due to ungrounded usage.
- Place your fridge freezer where it will not be exposed to direct sunlight.
- Your fridge freezer must never be used outdoors or exposed to rain.
- Your appliance must be at least 50 cm away from stoves, gas ovens and heater cores, and at least 5 cm away from electrical ovens.
- If your fridge freezer is placed next to a deep freezer, there must be at least 2 cm between them to prevent humidity forming on the outer surface.
- Do not cover the body or top of fridge freezer with lace. This will affect the performance of your fridge freezer.
- Clearance of at least 150 mm is required at the top of your appliance. Do not place anything on top of your appliance.
- Do not place heavy items on the appliance.
- Clean the appliance thoroughly before use (see Cleaning and Maintenance).
- Before using your fridge freezer, wipe all parts with a solution of warm water and a teaspoon of sodium bicarbonate. Then, rinse with clean water and dry. Return all parts to the fridge freezer after cleaning.
- Use the adjustable front legs to make sure your appliance is level and stable.
- You can adjust the legs by turning them in either direction. This must be done before placing food in the appliance.
- Install the plastic distance guide(s) on the condenser (black vanes at the rear of the appliance) by turning it 90° (as shown in the figure) to prevent the condenser from touching the wall.
- The distance between the appliance and back wall must be a maximum of 75 mm.



Electrical Information

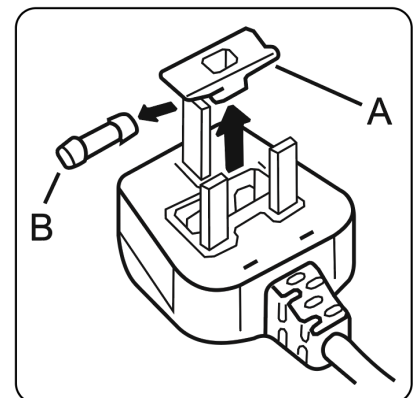
WARNING: This appliance must be earthed.

The power cord of this appliance has been fitted with a specially earthed plug.

Important: Do not use the appliance without the fuse cover in position.

Should the fuse need to be replaced, it must be replaced with a 13A fuse, ASTA approved to BS1362. The plug must be used with a specially earthed socket of 13 amperes. If there is no such socket in your house, please have one installed by a qualified electrician.

The power cord of this appliance has been fitted with a BS 1363A 13A fused plug. To change a fuse in this type of plug, follow the steps below:



1. Remove the fuse cover and fuse.
2. Fit replacement 13A fuse, ASTA approved to BS 1362 type, into the fuse cover.
3. Replace fuse cover.

During Usage

- Do not connect your fridge freezer to the mains power supply using an extension lead.
- Do not use damaged, torn or old plugs.
- Do not pull, bend or damage the cord.
- Do not use plug adapter.
- This appliance is designed for use by adults. Do not allow children to play with the appliance or hang off the door.
- Never touch the power cord/plug with wet hands. This may cause a short circuit or electric shock.
- Do not place glass bottles or cans in the ice-making compartment as they will burst when the contents freeze.
- Do not place explosive or flammable material in your fridge. Place drinks with high alcohol content vertically in the fridge compartment and make sure their tops are tightly closed.
- When removing ice from the ice-making compartment, do not touch it. Ice may cause frost burns and/or cuts.
- Do not touch frozen goods with wet hands. Do not eat ice-cream or ice cubes immediately after they are removed from the ice-making compartment.
- Do not re-freeze thawed frozen food. This may cause health issues such as food poisoning.

Old and Out-of-order Fridges

- If your old fridge or freezer has a lock, break or remove the lock before discarding it, because children may get trapped inside it and may cause an accident.
- Old fridges and freezers contain isolation material and refrigerant with CFC. Therefore, take care not to harm environment when you are discarding your old fridges.

SPECIFICATION

Annual Consumption	219Wh/a
Model Number	F01554FFW
Category Type	Frost Free
Energy Efficiency	Class E
Annual Energy Consumption	219kWh/a
Total Net Storage Volume (L)	220
Freezing Capacity	3.4kg/24hr
Fridge Net Storage Volume (L)	146
Freezer Net Storage Volume (L)	75
Applicable Star Rating of Freezer Compartment	4 Star
Refrigeration System	Frost Free
Temperature Rise Time	7.4
Climate Class	ST/N
Number of Drawers	4
Number of Fridge Shelves	3
Voltage	220-240
Wattage Power	166
Frequency	50

Ambient Room Temperature Limits

Install this appliance at a location where the ambient temperature corresponds to the climate class indicated on the rating label of the appliance:

Class	Symbol	Ambient average temperature °C
Extended temperature	SN	+10 to +32
Temperature	N	+16 to +38
Subtropical	ST	+16 to +38
Tropical	T	+16 to +43

APPLIANCE OVERVIEW

- A. Refrigerator compartment
- B. Freezer compartment
- 1. Thermostat dial
- 2. Refrigeration lamp and cover
- 3. Refrigerator shelves
- 4. Crisper cover
- 5. Crisper drawer
- 6. Freezer upper flap
- 7. Freezer drawers
- 8. Ice box tray
- 9. Freezer glass shelves
- 10. Bottle shelf
- 11. Door shelves
- 12. Egg holder

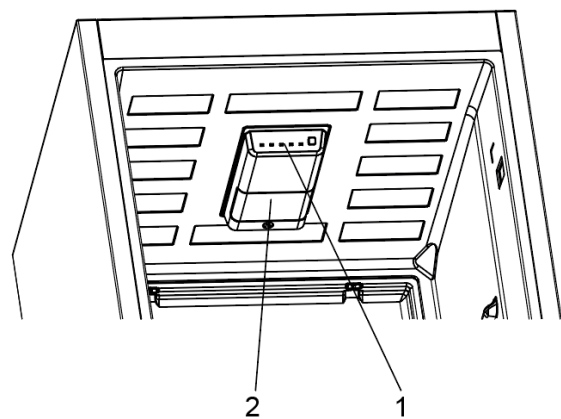
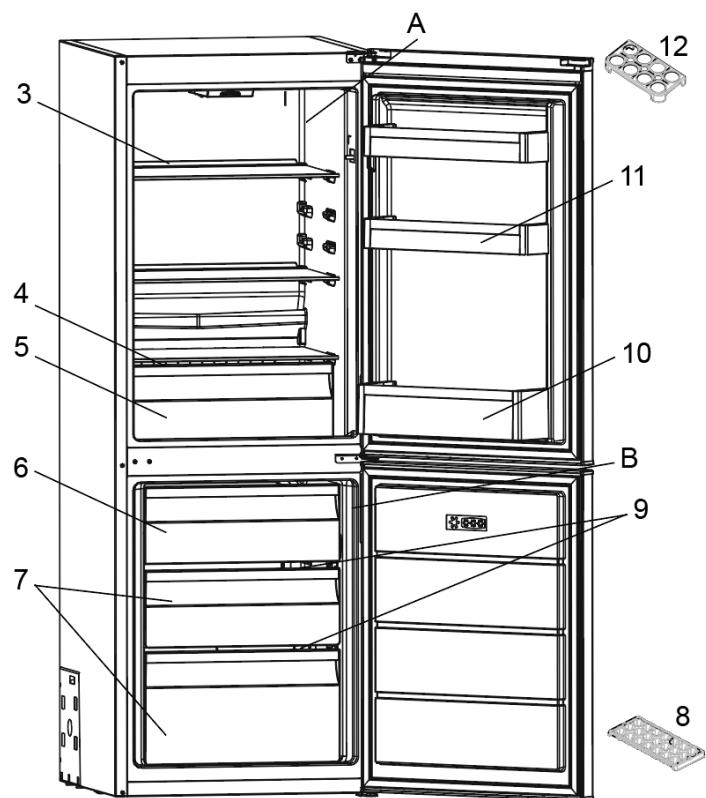
General notes:

Fresh Food Compartment (Fridge):

Most efficient use of energy is ensured in the configuration with the drawers in the bottom part of the appliance, and shelves evenly distributed, position of door bins does not affect energy consumption.

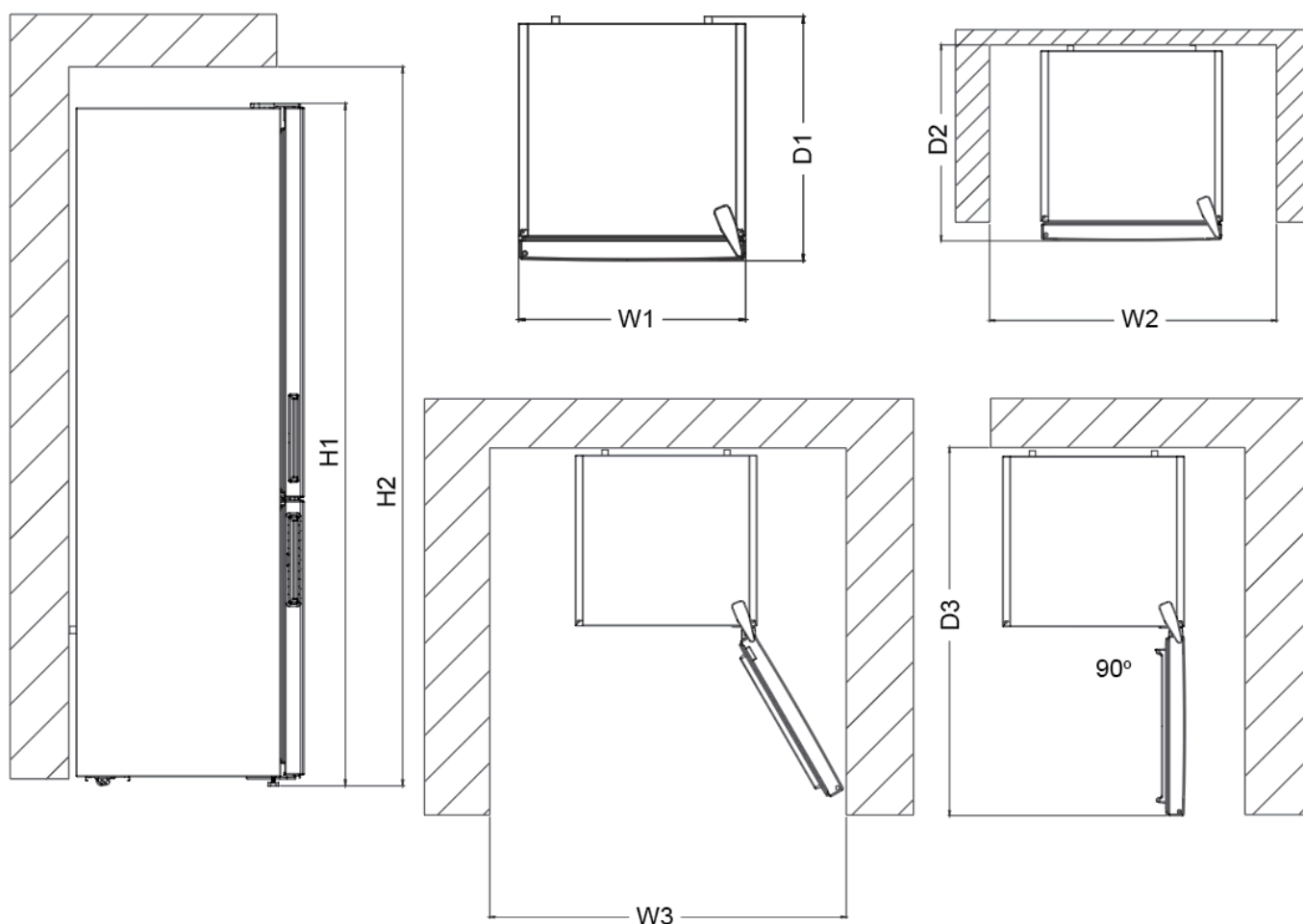
Freezer Compartment (Freezer):

Most efficient use of energy is ensured in the configuration with the drawers and bins are on stock position.



INSTALLATION

Dimensions



Overall dimensions ¹		
H1	mm	1520,0
W1	mm	540,0
D1	mm	595,0

¹ the height, width and depth of the appliance without the handle.

Space required in use ²		
H2	mm	1670,0
W2	mm	640,0
D2	mm	692,8

² the height, width and depth of the appliance including the handle, plus the space necessary for free circulation of the cooling air.

Overall space required in use ³		
W3	mm	650,2
D3	mm	1137,9

³ the height, width and depth of the appliance including the handle, plus the space necessary for free circulation of the cooling air, plus the space necessary to allow door opening to the minimum angle permitting removal of all internal equipment.

Packaging and the Environment

Packaging materials protect your machine from damage that may occur during transportation. The packaging materials are environmentally friendly as they are recyclable. The use of recycled material reduces raw material consumption and therefore decreases waste production.

Please Note:

- Please read the instruction manual carefully before installing and using your appliance. We are not responsible for the damage occurred due to misuse.
- Follow all instructions on your appliance and instruction manual, and keep this manual in a safe place to resolve any problems that may occur in the future.
- This appliance is produced to be used in homes and it can only be used in domestic environments and for the specified purposes. It is not suitable for commercial or common use. Such use will cause the guarantee of the appliance to be cancelled and our company will not be responsible for any losses incurred.
- This appliance is produced to be used in houses and it is only suitable for cooling / storing foods. It is not suitable for commercial or common use and/or for storing substances except for food. Our company is not responsible for any losses incurred by inappropriate usage of the appliance.

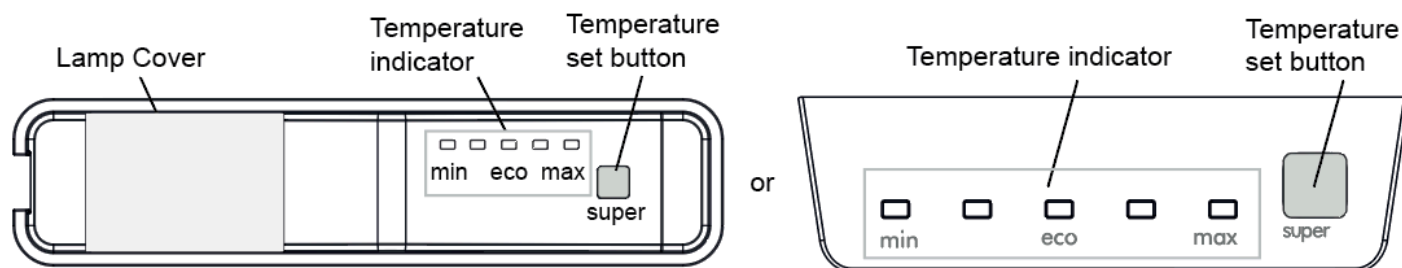
OPERATING INSTRUCTIONS

Information on the Frost Free Technology

The Frost Free refrigerators have a different operating system to static refrigerators. In normal (static) fridges, the humidity entering the fridge due to opening the door, and the humidity inherent in the food, causes frost build-up in the freezer compartment. To defrost the frost and ice in the freezer compartment, you are required to periodically switch off the fridge, place the frozen food in a separate cooled container, then remove the ice gathered in the freezer compartment.

The situation is completely different in No-frost fridges. A built-in fan blows dry and cold air evenly throughout the cooler and freezer compartments. The cold air disperses uniformly between the shelves, ensuring all your food is cooled equally, thus preventing humidity and frost build-up. Therefore, your No-frost fridge allows ease of use, in addition to its huge capacity and stylish appearance.

Display and Control Panel



Operating your fridge

Lighting

When the product is plugged in for the first time, the interior lights may turn on 1 minute late due to opening tests.

Temperature Set Button

This button allows setting temperature of the fridge. In order to set values for fridge partition, press this button.

Temperature Settings

- Every time you press the button, the setting temperature will decrease.
- Settings display and you do not press any button within the following 3 seconds.

If refrigerator has got freezer compartment.

Super Freeze Mode

RECOMMENDED USES ARE:

- To freeze huge quantities of food.
- To freeze fast food.
- To freeze food quickly.
- To store seasonal food for a long time.

How to use?

- Hold down temperature set button for 5 seconds to activate super mode when set is MAX.
- All lights will be lighted constantly.

During this mode:

If you hold down set button for 5 seconds, super mode will be deactivated. The super mode will be cancel automatically after max 48 hours.

Stand-By Mode

- To activate hold down set button for 5 seconds when it is set for “Min”. All LEDS will blink three times.
- To work In stand-by mode; all components will be disabled. Push the Temperature set button while in stand-by mode, all LEDS will blink three times to show stand-by mode is active.
- To deactivate push and hold the Temperature set button until display returns to normal working.

Door Open Alarm Function

If the door is left open for more than 2 minutes, the interior lighting will start flashing.

Temperature Settings Warnings

- Your appliance is designed to operate in the ambient temperature ranges stated in the standards, according to the climate class stated in the specification table It is not recommended that your fridge is operated in the environments which are outside of the stated temperature ranges. This will reduce the cooling efficiency of the appliance.
- Temperature adjustments should be made according to the frequency of door openings, the quantity of food kept inside the appliance and the ambient temperature in the location of your appliance.
- When the appliance is first switched on, allow it to run for 24 hours in order to reach operating temperature. During this time, do not open the door and do not keep a large quantity of food inside.

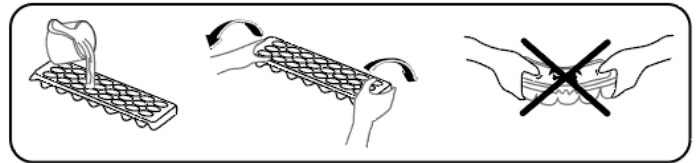
- A 5 minute delay function is applied to prevent damage to the compressor of your appliance when connecting or disconnecting to mains, or when an energy breakdown occurs. Your appliance will begin to operate normally after 5 minutes.

Accessories

Visual and text descriptions in the accessories section may vary according to the model of your appliance.

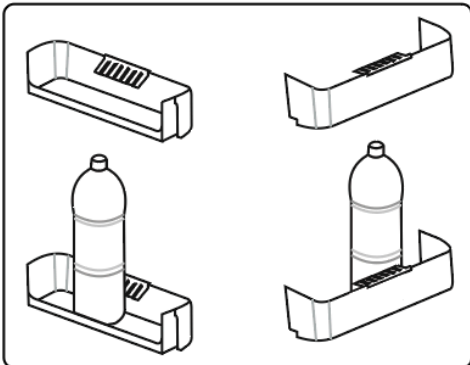
Ice Tray

- Fill the ice tray with water and place in the freezer compartment.
- After the water has completely frozen, you can twist the tray as shown to the right to remove the ice cubes.



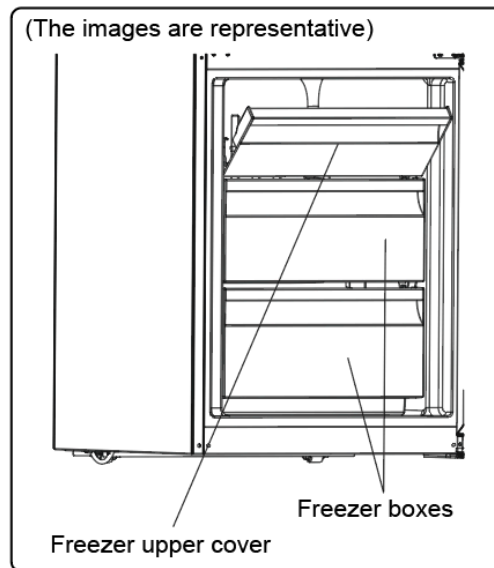
The Bottle Holder

Use the bottle holder to prevent bottles from slipping or falling over.



The Freezer Box

The freezer box allows food to be accessed more easily.



Removing the freezer box:

- Pull the box out as far as possible
- Pull the front of the box up and out



Carry out the opposite of this operation when refitting the sliding compartment. Always keep hold of the handle of the box while removing it.

FOOD STORAGE

Refrigerator Compartment

- To reduce humidity and avoid the consequent formation of frost, always store liquids in sealed containers in the refrigerator. Frost tends to concentrate in the coldest parts of the evaporating liquid and, in time, your appliance will require more frequent defrosting.
- Cooked dishes must remain covered when they are kept in the fridge. Do not place warm foods in fridge. Place them when they are cool, otherwise the temperature/humidity inside the fridge will increase, reducing the fridge's efficiency.
- Make sure no items are in direct contact with the rear wall of the appliance as frost will develop and packaging will stick to it. Do not open the refrigerator door frequently.
- We recommend that meat and clean fish are loosely wrapped and stored on the glass shelf just above the vegetable bin where the air is cooler, as this provides the best storage conditions.
- Store loose fruit and vegetable items in the crisper containers.
- Storing fruit and vegetables separately helps prevent ethylene-sensitive vegetables (green leaves, broccoli, carrot, etc.) being affected by ethylene-releasing fruits (banana, peach, apricot, fig etc.).
- Do not put wet vegetables into the refrigerator.
- Storage time for all food products depends on the initial quality of the food and an uninterrupted refrigeration cycle before refrigerator storage.
- Water leaking from meat may contaminate other products in the refrigerator. You should package meat products and clean any leakages on the shelves.
- Do not put food in front of the air flow passage.
- Consume packaged foods before the recommended expiry date.
- Do not allow food to come into contact with the temperature sensor, which is located in the refrigerator compartment, in order to keep the refrigerator compartment at optimum temperature.
- For normal working conditions, it will be sufficient to adjust the temperature setting of your refrigerator to +4°C.
- The temperature of the fridge compartment should be in the range of 0-8 °C, fresh foods below 0°C are iced and rotted, bacterial load increases above 8°C, and spoils.
- Do not put hot food in the refrigerator immediately, wait for the temperature to pass outside. Hot foods increase the degree of your refrigerator and cause food poisoning and unnecessary spoiling of the food.
- The crisper compartment is preferred for vegetables.
- To prevent cross contamination, meat products and fruit vegetables are not stored together.
- Foods should be placed in the refrigerator in closed containers or covered to prevent moisture and odors. The table below is a quick guide to show you the most efficient way to store the major food groups in your refrigerator compartment.

Food	Maximum storage time	How and where to store
Vegetables and fruits	1 week	Vegetable bin
Meat and fish	2-3 days	Wrap in plastic foil, bags, or in a meat container and store on the glass shelf
Fresh cheese	3-4 days	On the designated door shelf
Butter and margarine	1 week	On the designated door shelf
Bottled products e.g. milk and yogurt	Until the expiry date recommended by the producer	On the designated door shelf
Eggs	1 month	On the designated egg shelf
Cooked food	2 days	All shelves

Please Note: Potatoes, onions and garlic should not be stored in the refrigerator.

Freezer Compartment

- The freezer is used for storing frozen food, freezing fresh food, and making ice cubes.
- Food in liquid form should be frozen in plastic cups and other food should be frozen in plastic folios or bags. For freezing fresh food; wrap and seal fresh food properly, that is the packaging should be air tight and shouldn't leak.
- Special freezer bags, aluminum foil polythene bags and plastic containers are ideal.
- Do not store fresh food next to frozen food as it can thaw the frozen food.
- Before freezing fresh food, divide it into portions that can be consumed in one sitting.
- Consume thawed frozen food within a short period of time after defrosting
- Always follow the manufacturer's instructions on food packaging when storing frozen food. If no information is provided food, should not be stored for more than 3 months from the date of purchase.
- When purchasing frozen food, make sure that it has been stored under appropriate conditions and that the packaging is not damaged.
- Frozen food should be transported in appropriate containers and placed in the freezer as soon as possible.
- Do not purchase frozen food if the packaging shows signs of humidity and abnormal swelling. It is probable that it has been stored at an unsuitable temperature and that the contents have deteriorated.
- The storage life of frozen food depends on the room temperature, the thermostat setting, how often the door is opened, the type of food, and the length of time required to transport the product from the shop to your home. Always follow the instructions printed on the packaging and never exceed the maximum storage life indicated.
- If the freezer door has been left open for a long time or not closed properly, frost will form and can prevent efficient air circulation. To resolve this, unplug the freezer and wait for it to defrost. Clean the freezer once it has fully defrosted.
- The freezer volume stated on the label is the volume without baskets, covers, and so on.
- Do not refreeze thawed food. It may pose a danger to your health and cause problems such as food poisoning.

Please Note: If you attempt to open the freezer door immediately after closing it, you will find that it will not open easily. This is normal. Once equilibrium has been reached, the door will open easily.

The table below is a recommended guide to show you the most efficient way to store the major food groups in your freezer compartment.

Meat and fish	Preparation	Maximum storage time (months)
Steak	Wrap in foil	6-8
Lamb meat	Wrap in foil	6-8
Veal roast	Wrap in foil	6-8
Veal cubes	In small pieces	6-8
Lamb cubes	In pieces	4-8
Minced meat	In packaging without using spices	1-3
Giblets (pieces)	In pieces	1-3
Bologna sausage/salami	Should be kept packaged even if it has a membrane	1-3
Chicken and turkey	Wrap in foil	4-6
Goose and duck	Wrap in foil	4-6
Deer, rabbit, wild boar	In 2.5kg portions or as fillets	6-8
Freshwater fish (Salmon, Carp, Crane, Catfish)	After cleaning the bowels and scales of the fish, wash and dry it. If necessary, remove the tail and head.	2
Lean fish (Bass, Turbot, Flounder)		4
Fatty fishes (Tuna, Mackerel, Bluefish, Anchovy)		2-4
Shellfish	Clean an in a bag	4-6
Caviar	In its packaging, or in an aluminium or plastic container	2-3
Snails	In salty water, or in an aluminium or plastic container	3
Please Note: Thawed frozen meat should be cooked as fresh meat. If the meat is not cooked after defrosting, it must not be re-frozen		

Vegetables and Fruits	Preparation	Maximum storage time (months)
String beans and beans	Wash, cut into small pieces and boil in water	10-13
Beans	Hull, wash and boil in water	12
Cabbage	Clean and boil in water	6-8
Carrot	Clean, cut into slices and boil in water	12
Pepper	Cut the stem, cut into two pieces, remove the core and boil in water	8-10
Spinach	Wash and boil in water	6-9
Cauliflower	Remove the leaves, cut the heart into pieces and leave it in water with a little lemon juice for a while	10-12
Eggplant	Cut into pieces of 2cm after washing	10-12
Corn	Clean an pack with its stem or as sweetcorn	12
Apple and Pear	Peel and slice	8-10
Apricot and Peach	Cut into two pieces and remove the stone	4-6




Vegetables and Fruits	Preparation	Maximum storage time (months)
Strawberry and Blackberry	Wash and hull	8-12
Cooked Fruits	Add 10% of sugar to the container	12
Plum, Cherry, Sourberry	Wash and hull the stems	8-12

Dairy Products	Preparation	Maximum storage time (months)	Storage Conditions
Packet Milk	In its own packet	2-3	Pure Milk - In its own packet
Cheese, excluding white cheese	In slices	6-8	Original packaging may be used for short term storage. Keep wrapped in foil for longer periods.
Butter, margarine	In its packaging	6	


TIPS FOR SAVING ENERGY

1. Install the appliance in a cool, well-ventilated room, but not in direct sunlight and not near a heat source (such as a radiator or oven) otherwise an insulating plate should be used.
2. Allow warm food and drinks to cool before placing them inside the appliance.
3. Place thawing food in the refrigerator compartment if available. The low temperature of the frozen food will help cool the refrigerator compartment while the food is thawing. This will save energy. Frozen food left to thaw outside of the appliance will result in a waste of energy.
4. Drinks or other liquids should be covered when inside the appliance. If left uncovered, the humidity inside the appliance will increase, therefore the appliance uses more energy. Keeping drinks and other liquids covered helps preserve their smell and taste.
5. Avoid keeping the doors open for long periods and opening the doors too frequently as warm air will enter the appliance and cause the compressor to switch on unnecessarily often.
6. Keep the covers of the different temperature compartments (such as the crisper and chiller if available) closed.
7. The door gasket must be clean and pliable. In case of wear, replace the gasket.

CLEANING AND MAINTENANCE

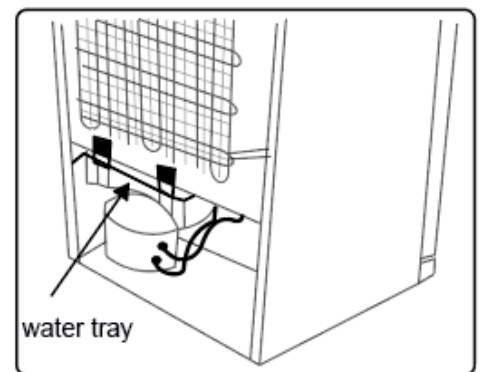
-  Disconnect the unit from the mains power supply before cleaning.
-  Do not wash your appliance by pouring water on it.
-  Do not use abrasive products, detergents or soaps for cleaning the appliance. After washing, rinse with clean water and dry carefully. When you have finished cleaning, reconnect the plug to the mains supply with dry hands.

- Make sure that no water enters the lamp housing and other electrical components.
- The appliance should be cleaned regularly using a solution of bicarbonate of soda and lukewarm water.
- Clean the accessories separately by hand with soap and water. Do not wash accessories in a dish washer.
- Clean the condenser with a brush at least twice a year. This will help you to save on energy costs and increase productivity.

 **WARNING:** The power supply must be disconnected during cleaning.

Defrosting

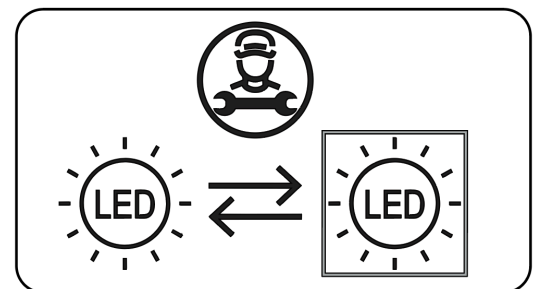
- Your appliance performs automatic defrosting. The water formed as a result of defrosting passes through the water collection spout, flows into the water tray behind your appliance and evaporates there.
- Make sure you have disconnected the plug of your appliance before cleaning the water tray.
- Remove the water tray from its position by removing the screws (if it has screws).
- Clean it with soapy water at specific time intervals. This will prevent odours from forming.



Replacing LED Lighting

To replace any of the LEDs, please contact the nearest Authorised Service Centre.

Please Note: The numbers and location of the LED strips may change according to the model.



If product equipped with LED lamp

This product contains a light source of energy efficiency class <E>.

If product equipped with LED Strip(s) or LED card(s)

This product contains a light source of energy efficiency class <F>.

SHIPMENT AND REPOSITIONING

Transportation and Changing Positioning

- The original packaging and foam may be kept for re-transportation . Fasten your appliance with thick packaging, bands or strong cords and follow the instructions for transportation on the packaging.
- Remove all movable parts or fix them into the appliance against shocks using bands when re-positioning or transporting.
- Always carry your appliance in the upright position.

Repositioning the Door

- It is not possible to change the opening direction of your appliance door if door handles are installed on the front surface of the appliance door.
- It is possible to change the opening direction of the door on models with handle on the side of the door or without handles.
- If the door-opening direction of your appliance can be changed, contact the nearest Authorised Service Centre to change the opening direction.

TROUBLE SHOOTING GUIDE

If you are having problems with your appliance, please use our trouble shooting guide below. If you are unable to resolve the issue using this guide please ring our Customer Service Department on 01473 277 508. Please have the model code and purchase information available.

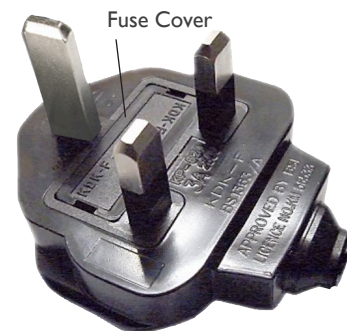
Problem	Possible Cause	Solution/Reason
Appliance is not operating	There is no power	Check if the wall socket has power to it by plugging in another working appliance.
	The plug fuse or the mains fuse has blown	Plug another working appliance into the same socket, if it is working replace the fuse or check the socket.
	The socket is defective	Plug another working appliance into the same socket.
	The plug is not correctly placed in the socket	Plug the mains power supply socket in correctly.
The appliance performs poorly	The appliance may be overloaded	Unload your appliance to an appropriate capacity.
	The appliance door may not be closed properly	Check if the door is open or if there is anything blocking the door. Re-shut the door, checking it has closed correctly.
	There is dust on the condenser	Clean the condenser and remove all dust.
	There is not enough space near the rear and side walls	Move the appliance to a more appropriate location, ensure there is enough space between the appliance and surrounding walls.
The appliance is operating noisily	A cracking noise is happening	This can happen during automatic defrosting or when the appliance is cooled or warmed due to the expansion of appliance material.
	A short cracking noise is happening	This can happen when the thermostat switches the compressor on/off.
	The motor is making noise	This indicates the compressor is operating normally. The compressor may cause more noise for a short time when it is first activated.
	There is a bubbling and splash noise occurring	This is due to the flow of the refrigerant in the tubes of the system.
	There is a water flowing noise occurring	This is due to the water flowing to the evaporating container. This noise is normal during defrosting.
	There is an air blowing noise occurring	This can happen during normal operation of the system due to the circulation of air.
The edges of the appliance in contact with the door joint are warm	There is a build-up of humidity inside the appliance	This can happen during warmer seasons, the surfaces in contact with the door joint may become warmer during the operation of the compressor, this is normal.
		Check if all food is packed properly. Containers must be dry before being placed in the appliance.
		The appliance door is being opened frequently.

Problem	Possible Cause	Solution/Reason
The door does not open or close properly	Check if there is food or packaging preventing the door from closing	Remove any item's causing a blockage, preventing the appliance door from closing.
	The door hinges are broken or torn	Contact the manufacturer or qualified personnel to assess this.
	Your appliance is not level	Re-level the appliance using the leveling feet.

MAINS PLUG FUSE REPLACEMENT

Fuse Replacement (Class I)

This appliance must be earthed. Remove the fuse cover with a small flat head screw driver. Take out the fuse and replace with a new fuse of the same Amp. Replace the fuse cover and push back into place.



DISPOSAL INFORMATION

The European Directive 2012/19/EU on Waste Electrical and Electronic Equipment (WEEE), requires that old household electrical appliances must not be disposed of in normal unsorted municipal waste.

Old appliances must be collected separately in order to optimise the recovery and recycling of the materials they contain and reduce the impact on human health and the environment.

The crossed out “wheeled bin” symbol on the product reminds you of your obligation, that when you dispose of the appliance it must be separately collected. Consumers should contact their local authority or retailer for information concerning the correct disposal of their old appliance.

Doors and lids of the refrigeration appliance should be removed before disposal in the landfill, to avoid children or animals getting trapped inside.



CE Declaration of conformity

We declare that our products meet the applicable European Directives, Decisions and Regulations and the requirements listed in the standards referenced.

Disposal of your old appliance The symbol on the product or on its packaging indicates that this product may not be treated as household waste. Instead it shall be handed over to the applicable collection point for the recycling of electrical and electronic equipment. By ensuring this product is disposed of correctly, you will help prevent potential negative consequences for the environment and human health, which could otherwise be caused by inappropriate waste handling of this product. For more detailed information about recycling of this product, please contact your local city office, your household waste disposal service or the shop where you purchased the product.

STATESMAN WARRANTY/GUARANTEE TERMS & CONDITIONS

THANK YOU FOR CHOOSING STATESMAN

To help protect your product, we want to give you an additional 12 months warranty. If you register your appliance within 30 days of purchase, we will activate your additional 12 months warranty, giving you **24 months peace of mind**. This means that in the unlikely event you develop a fault or problem with your product we will happily repair or replace the item free of charge. To qualify for the guarantee, the product must be used for domestic household use only and in accordance with the instructions in the user manual. Any misuse of the product will result in the warranty being void. The guarantee does not cover accidental damage, misuse, neglect, tampering or incorrect adjustment or installation. The guarantee will be rendered invalid if the product is resold, has had its serial number or rating label removed (or has an invalid serial number or rating label), or if an unauthorised person has carried out any repairs or alterations.

You can instantly activate your 24 month warranty by visiting www.statesman.warrantyonline.co.uk. Once your registration has been processed you will receive confirmation of your warranty.

The warranty does not cover accessories or consumable parts that require replacement under normal use. This includes shelving, dials, filters, belts and trays etc. In the unlikely event of a breakdown please refer to the Troubleshooting Guide in your user manual and check all plugs, fuses and the electricity supply. If you still require assistance, please contact our Customer Service Department on **01473 277 508** or write to us at the following address:

Customer Service Department:

38 Bluestem Road, Ransomes Industrial Estate, Ipswich, IP3 9RR.

Please quote the Product Code and the PO number on the rating label and give details of the exact fault. We will then decide whether to replace the item.

IMPORTANT NOTE: Before we arrange the replacement, you will be required to return a copy of your proof of purchase. Please retain your original receipt. If an item is replaced within the agreed warranty period, the warranty for the replacement item will be calculated from the purchase date of the original.

If the product is inspected, and no fault is found, or the product is not within the guarantee period you will be charged for the repair and any carriage costs.

STATESMAN
kitchen appliances

**38 Bluestem Road, Ransomes Europark, Ipswich, IP3 9RR
Castle Electrical Factors Ltd., Dundalk, A91 KA9R, IR**

01473 277 508