

USER / INSTALLER INSTRUCTION BOOKLET

Please read instructions before using the appliance

MODEL: NAPIER 60E

Serial No.

Affix Serial No. Label above



CONTENTS

Introduction.....	Page 3
Service.....	Page 3
Safety (General).....	Page 4
Using the Oven.....	Page 6
Using the Grill.....	Page 7
Using the Hotplate.....	Page 7
Installation.....	Page 8
User Safety Rules.....	Page 9
Cleaning.....	Page 10
Technical Specification.....	Page 11

CE Declaration of Conformity

- This cooking appliance has been designed to be used only for cooking. Any other use (such as heating a room) is improper and dangerous.
- This cooking hob has been designed, constructed, and marketed in compliance with:
 - **Safety requirements of the “LVD” Directive 2006/95/EC;**
 - Safety requirements of the “EMC” Directive 89/336/EC;
 - Requirements of the Directive 93/68/EC.

INTRODUCTION

Thank you for choosing a STATESMAN appliance.

IMPORTANT: Before using your appliance, please read this manual carefully to assist safe and successful operation.

INSTALLATION (SEE PAGE 8)

- This cooker must be installed by qualified personnel, according to the manufacturer's instructions and to the relevant British Standards.
- This cooker is heavy; take care when moving it.
- Remove all packaging before using the cooker.
- Ensure that the electrical supply complies with type stated on the rating plate.
- Do not attempt to modify the cooker in any way as this may be dangerous and will invalidate the warranty.

SERVICE

Should you have any difficulty using your cooker, and you have checked the possible causes with the help of information provided, you may contact our **CUSTOMER SERVICES DEPARTMENT: 0844 84 85 861**

Please have ready the following details:

- Model No.
- Serial No.
- Date of purchase
- Name, address and postcode
- Contact telephone number
- Accurate description of fault
- Where purchased

Spare parts information can be obtained by calling the **SPARE PARTS DEPARTMENT: 0844 84 85 862**

SAFETY

It is important to read this manual and take all safety measures that are recommended.

WARNING; do not leave the hotplates switched on without a pan in place as this will cause overheating which is a safety hazard. Damage caused this way is not covered by the guarantee.

- This appliance has been designed for domestic, non-professional use.
- Check for any damage once unpacked. If there are any defects or damage, do not use the appliance. Report the defect/damage to your supplier or Statesman Service.
- Remove and dispose of all packaging immediately to prevent any risk of harm to children.
- This appliance must be installed and commissioned by a qualified person as Statesman will not take any responsibility for damage caused by incorrect installation.
- Before installing this appliance, make sure that the electricity supply is compatible with the specification on the rating plate and the packaging.
- The supply cable must never be changed by the customer. If it becomes damaged, contact a qualified person to replace it.
- Switch the power supply off before changing the oven lamp.
- Always switch the power supply off before any cleaning or maintenance is carried out.
- After use, some parts of this appliance may remain hot for a long time. Take care to avoid touching parts until the appliance has cooled.
- Keep flammable materials away from the appliance.
- Ensure that no cables of other electrical appliances come into contact with this appliance, especially hot parts.
- Keep children away from this appliance.

Take care to avoid touching the heating elements inside the oven as these become extremely hot when in use.

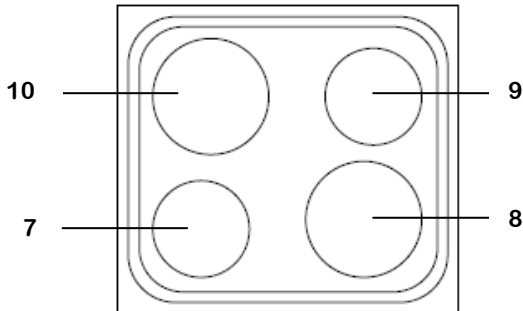
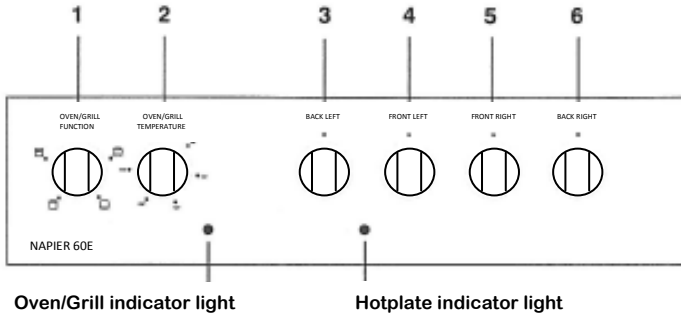
- When using the grill, the oven door should be kept closed.
- Never use steam cleaners for cleaning the appliance.

SAFETY CONT....

IF A REPAIR IS REQUIRED, ONLY GENUINE PARTS SHOULD BE USED AND ANY WORK MUST BE CARRIED OUT BY A STATESMAN ENGINEER.

The installer of this appliance should read the installation instructions and should be a suitably qualified person.

CONTROL PANEL AND HOTPLATE



- 1- Oven/Grill function control
- 2- Oven/Grill temperature control
- 3- Hotplate control (1500 W) rear left
- 4- Hotplate control (1000 W) front left
- 5- Hotplate control (2000 W) front right – fast plate
- 6- Hotplate control (1000 W) rear right
- 7- Hotplate 145mm (1000W)
- 8- Hotplate 185mm (2000W) - fast plate
- 9- Hotplate 145mm (1000W)
- 10- Hotplate 185mm (1500W)

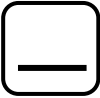
USING THE OVEN & GRILL

Functions

The symbols below show the functions that can be selected with the function control knob.



Main oven full heat



Main oven base heat



Main oven top heat



Grill

OVEN OPERATION

When you first operate the oven, the installation material around it will emit an odour. This is harmless and will soon fade.

Turn the oven function control knob to the required function symbol. Turn the thermostat knob to desired temperature setting.

For preheated recipes, preheat oven for 15 minutes.

When the required temperature is reached the oven/grill indicator light will no longer be illuminated.

GRILL OPERATION

The grill door must be closed when grilling.

Turn the function control knob to the grill symbol.

Turn the temperature control knob to 190°C max.

The indicator light will show, indicating that the grill is on.

For best results, pre-heat the grill for 2 minutes before beginning to use it.

The clip-on grill pan handle should be used when handling the grill pan.

USING THE HOTPLATE

Turn the hotplate control knob clockwise to the desired position; the indicator light will illuminate showing that the hotplate is on. When you have finished using the hotplate, turn the control knob back to '0' before removing the pan. There may be some discolouration of the hotplate trims initially which is normal and not detrimental to its use in any way.

The table below gives an indication of typical use for the different heat settings:

Knob position	0	1 & 2	3 & 4	5 & 6
Function	Off	Low heat simmering	Cooking and boiling	Rapid cooking and boiling
145mm plate 1000W		250 W	750 W	1000 W
185mm plate 1500W		750 W	1250 W	1500 W
185mm plate 2000W		1000 W	1500 W	2000 W

WARNING; do not leave the hotplates on without a pan in place as this could cause overheating which creates a safety hazard. Damage to the appliance caused this way is not covered by the guarantee.

INSTALLATION

IMPORTANT – Installation of this cooker must be carried out by qualified personnel.

This cooker must be earthed.

CLEARANCES

This cooker may be fitted flush to the base units, please leave a small gap of approximately 2mm for cleaning etc.

No over hang or cooker hood can be closer than a minimum of 650mm above hotplate.

The cooker must have a horizontal clearance above the hotplate of 90mm each side and a minimum of 400mm above the hotplate.

ELECTRICAL CONNECTION

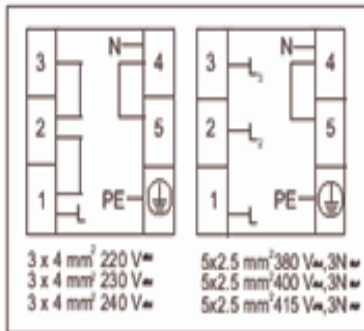
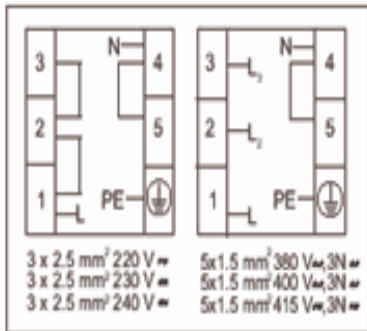
- This appliances must be earthed.
- The power supply must be 220-240v for single phase or 380-415v for three phase installation.
- This appliance requires a 32amp circuit breaker and double pole switch with minimum contact separation of 3mm.
- The power supply cooker switch must be close to the appliance with no extension cable being used.
- The power supply cable must not come into contact with any hot/sharp parts of the back of the appliance. This is to avoid damage to the cable which could result in a short circuit.
- Do not install the appliance with a damaged cable.
- Incorrect installation will invalidate the guarantee.

Cont...

ELECTRICAL CONNECTION CONT....

SINGLE PHASE – NORMAL

THREE PHASE



USER SAFETY RULES

- This appliance has been manufactured according to all regulations for electrical appliances.
- Any maintenance or repair work must be carried out by a qualified and authorised engineer. This is for your safety and to avoid the guarantee being invalidated.
- When in use, the outer surfaces of the appliance will become hot as well as the interior surfaces of the oven and grill. The heat is retained for a certain time after use and care must be taken not to touch these parts of the appliance until it has cooled down. Keep children away until it has cooled down.
- Never leave the cooker whilst cooking with solid or liquid oils and fats. If neglected and overlooked they can easily catch fire. Never use water to extinguish burning oil. Apply a cover to the pan and turn off the cooker power supply switch.
- Please be aware of the risk of leaving the oven door open. Any downwards pressure could tilt the cooker forward and tip any pans being used from the hotplate. Excess weight or pressure on the open door may also result in damage which will not be covered by the guarantee.

CONT...

USER SAFETY RULES CONT....

- Switch the power supply switch (cooker switch) off at the wall when not in use.
- Always protect the appliance from the effects of damp or wet weather conditions. Appliances in a damp atmosphere will be damaged by rust corrosion which is not covered by the guarantee.

CLEANING

IMPORTANT – Before any maintenance or cleaning can be carried out, you must **DISCONNECT** the cooker from the electricity supply.

HOB TOP

The hob is best cleaned whilst it is still warm as spillage can be removed more easily than if it is left to cool.

Regularly wipe over the hob top using a soft cloth well wrung out in warm water to which a little washing up liquid has been added. Avoid the use of strong household detergents and bleaches, impregnated pads unsuitable for non-stick saucepans, steel wool pads and bath/sink stain removers.

Apply a thin layer of cooking oil to hotplates after being cleaned and dried.

CONTROL PANEL

Before cleaning the control panel, ensure that the surface is cool. For best results, use a soft dampened cloth. If marks should remain use a very mild detergent using a light rubbing action, being particularly careful around graphics.

OVEN AND GRILL

The oven should be kept clean at all times. A build up of fats or other foodstuffs could result in a fire.

The oven and grill cavities have a smooth enamel finish and can be scrubbed with a soft cloth soaked in warm soapy water. However, from time to time they may require a more thorough clean using an oven cleaner. Ensure that the oven cleaner used is suitable for smooth enamel.

TECHNICAL DATA

SPECIFICATION FOR HOTPLATE, OVEN & GRILL

Element Type	Rating
145mm Hotplate (x2)	1000 W
180mm Hotplate	1500 W
180mm Rapid Hotplate	2000 W
Grill Element	2000 W
Oven Top Element	1200 W
Oven Bottom Element	1100 W
TOTAL MAX POWER	7800 W