

# STATESMAN

kitchen appliances

---



**SBS177X**  
**AMERICAN SIDE-BY-SIDE TOTAL NO FROST**  
**FRIDGE FREEZER**

## Instruction Manual

Please read these instructions carefully before use and retain for future reference.  
Before switching on your appliance – Always check for any damage that may have  
been caused in transit.

## CONTENTS

<b>Important Safety Instructions .....</b>	<b>3-6</b>
<b>Product Overview .....</b>	<b>7</b>
<b>Installation.....</b>	<b>8-11</b>
<b>Operating Instructions .....</b>	<b>12-16</b>
- Using the Control Panel.....	12-13
- First Use.....	14
- Daily Use.....	14
- Accessories .....	15
- Temperature Setting Recommendation.....	15
- Helpful Hints and Tips .....	16
<b>Cleaning and Maintenance .....</b>	<b>17</b>
<b>Troubleshooting Guide.....</b>	<b>18</b>
<b>Disposal Information .....</b>	<b>19</b>






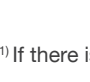

## SAFETY INSTRUCTIONS

- In the interest of your safety and to ensure the correct use, before installing and first using the appliance, read this user manual carefully, including its hints and warnings. To avoid unnecessary mistakes and accidents, it is important to ensure that all people using the appliance are thoroughly familiar with its operation and safety features. Save these instructions and make sure that they remain with the appliance if it is moved or sold, so that everyone using it through its life will be properly informed on appliance use and safety.

### Children and Vulnerable People Safety

- This appliance can be used by children aged from 8 years and above and persons with reduced physical, sensory or mental capabilities or lack of experience and knowledge if they have been given supervision or instruction concerning use of the appliance in a safe way and understand the hazards involved.
- Children aged from 3 to 8 years are allowed to load and unload this appliance.
- Children should be supervised to ensure that they do not play with the appliance.
- Cleaning and user maintenance shall not be made by children unless they are aged from 8 years and above and are supervised.
- Keep all packaging well away from children. There is risk of suffocation.
- If you are discarding the appliance pull the plug out of the socket, cut the connection cable (as close to the appliance as you can) and remove the door to prevent children playing with the appliance and suffering electric shock or getting locked inside.
- If this appliance featuring magnetic door seals is to replace an older appliance having a spring lock (latch) on the door or lid, be sure to make that spring lock unusable before you discard the old appliance. This will prevent the risk of anyone getting trapped inside the appliance.

### General Safety

-  **WARNING!** Keep ventilation openings, in the appliance enclosure or in the built-in structure, clear of obstruction.
  -  **WARNING!** Do not use mechanical devices or other means to accelerate the defrosting process, other than those recommended by the manufacturer.
  -  **WARNING!** Do not damage the refrigerant circuit.
  -  **WARNING!** Do not use other electrical appliances (such as ice cream makers) inside of refrigerating appliances, unless they are approved for this purpose by the manufacture.
  -  **WARNING!** Do not touch the light bulb if it has been on for a long period of time because it could be very hot.<sup>1)</sup>
  -  **WARNING!** When positioning the appliance, ensure the supply cord is not trapped or damaged.
  -  **WARNING!** Do not locate multiple portable socket-outlets or portable power suppliers at the rear of the appliance.
- Do not store explosive substances such as aerosol cans with a flammable propellant in this appliance. The refrigerant isobutane (R-600a) is contained within the refrigerant

<sup>1)</sup> If there is a light in the compartment.

circuit of the appliance, a natural gas with a high level of environmental compatibility, which is nevertheless flammable.

- During transportation and installation of the appliance, be certain that none of the components of the refrigerant circuit become damaged
  - avoid open flames and sources of ignition
  - thoroughly ventilate the room in which the appliance is situated
- It is dangerous to alter the specifications or modify this product in any way. Any damage to the cord may cause a short circuit, fire and/or electric shock. This appliance is intended to be used in household and similar applications such as:
  - staff kitchen areas in shops, offices and other working environments;
  - farmhouses and by clients in hotels, motels, and other residential type environments;
  - bed and breakfast type environments;
  - catering and similar non-retail applications.

**WARNING!** Any electrical components (plug, power cord, compressor etc.) must be replaced by a certified service agent or qualified service personnel.



**WARNING!** The light bulb supplied with this appliance is a special use light bulb usable only with the appliance supplied. This special use light bulb is not usable for domestic lighting. <sup>1)</sup>

- Power cord must not be lengthened.
- Make sure that the power plug is not squashed or damaged by the back of the appliance. A squashed or damaged power plug may overheat and cause a fire.
- Make sure that you can access the mains plug of the appliance.
- Do not pull the mains cable.
- If the power plug socket is loose, do not insert the power plug. There is a risk of electric shock or fire.
- You must not operate the appliance without the light bulb.
- This appliance is heavy. Care should be taken when moving it.
- Do not remove nor touch items from the freezer compartment if your hands are damp/wet, as this could cause skin abrasions or frost/freezer burns.
- Avoid prolonged exposure of the appliance to direct sunlight.

## Daily Use

- Do not put anything hot on the plastic parts in the appliance.
- Do not place food products directly against the rear wall.
- Frozen food must not be re-frozen once it has been thawed out. <sup>2)</sup>
- Store pre-packed frozen food in accordance with the frozen food manufacturers instructions. <sup>2)</sup>
- The Manufacturer's appliance storage recommendations should be strictly adhered to. Refer to the following instructions for safe storage of food:
  - Do not place carbonated or fizzy drinks in the freezer compartment as it creates pressure on the container, which may cause it to explode, resulting in damage to the appliance. <sup>2)</sup>
  - Ice lollies can cause frost burns if consumed straight from the appliance. <sup>2)</sup>
  - Opening the door for long periods can cause a significant increase of the temperature in the compartments of the appliance.
  - Regularly clean surfaces that can come into contact with food and accessible drainage systems. Clean water tanks if they have not been used for 48h; flush the water system connected to a water supply if water has not been drawn for 5 days.

<sup>1)</sup> If there is a light in the compartment..

<sup>2)</sup> If there is a freezer compartment

<sup>3)</sup> If there is a fresh-food storage compartment

- Store raw meat and fish in suitable containers in the refrigerator, so that it is not in contact with or drips onto other food.
- Two-star frozen-food compartments (if they are presented in the appliance) are suitable for storing pre-frozen food, storing or making ice cream and making ice cubes.
- One-, two- and three-star compartments (if they are presented in the appliance) are not suitable for the freezing of fresh food.
- If the appliance is left empty for long periods, switch off, defrost, clean, dry and leave the door open to prevent mould developing within the appliance.

## Care and Cleaning

- Before maintenance, switch off the appliance and disconnect the mains plug from the mains socket.
- Do not clean the appliance with metal objects.
- Do not use sharp objects to remove frost from the appliance. Use a plastic scraper. <sup>2)</sup>
- Regularly examine the drain in the refrigerator for defrosted water. If necessary, clean the drain. If the drain is blocked, water will collect in the bottom of the appliance. <sup>3)</sup>

## Installation

**Important!** For electrical connection carefully follow the instructions outlined below:

- Unpack the appliance and check if there are damages on it. Do not connect the appliance if it is damaged. Report possible damages immediately to the retailer you purchased the appliance from. In that case retain all packaging.
- It is advisable to wait at least four hours before connecting the appliance to allow the oil to flow back in the compressor.
- Ensure there is adequate air circulation around the appliance to prevent the unit from overheating. To achieve sufficient ventilation, follow the instructions outlined in the 'Location' section of the 'Installation' instructions on page 11.
- Wherever possible the spacers of the product should be against a wall to avoid touching or catching warm parts (compressor, condenser) to prevent possible burns.
- The appliance must not be located close to radiators or cookers.
- Make sure that the mains plug is accessible after the installation of the appliance.

## Service


- Any electrical work required for servicing of the appliance should be carried out by a qualified electrician or competent person.
- This product must be serviced by an authorized Service Agent, and only genuine spare parts must be used.

## Energy Saving

- Don't put hot food in the appliance;
- Don't pack food close together as this prevents air circulation;
- Make sure food doesn't touch the back of the compartment(s);
- If electricity goes off, don't open the door(s);
- Don't open the door(s) frequently;
- Don't keep the door(s) open for prolonged periods of time;

- Don't set the thermostat on exceeding cold temperatures;
- All accessories, such as drawers, shelf balconies, should be kept there for lower energy consumption.

## Environment Protection

 This appliance does not contain gasses which could damage the ozone layer, in either its refrigerant circuit or insulation materials. The appliance shall not be discarded together with the urban refuse and rubbish. The insulation foam contains flammable gases. The appliance shall be disposed of in accordance with the appliance disposal regulations outlined by your local authorities. Avoid damaging the cooling unit, especially the heat exchanger.


The materials used on this appliance marked by the symbol  are recyclable.



The symbol on the product or on its packaging indicates that this product may not be treated as household waste. Instead, it should be taken to the appropriate collection point for the recycling of electrical and electronic equipment.

By ensuring this product is disposed of correctly, you will help prevent potential negative consequences for the environment and human health, which could otherwise be caused by inappropriate waste handling of this product. For more detailed information about recycling of this product, please contact your local council, your household waste disposal service, or the retailer where you purchased the product.

## Packaging Materials

The materials with the  symbol are recyclable. Dispose the packaging in a suitable collection container to recycle it.

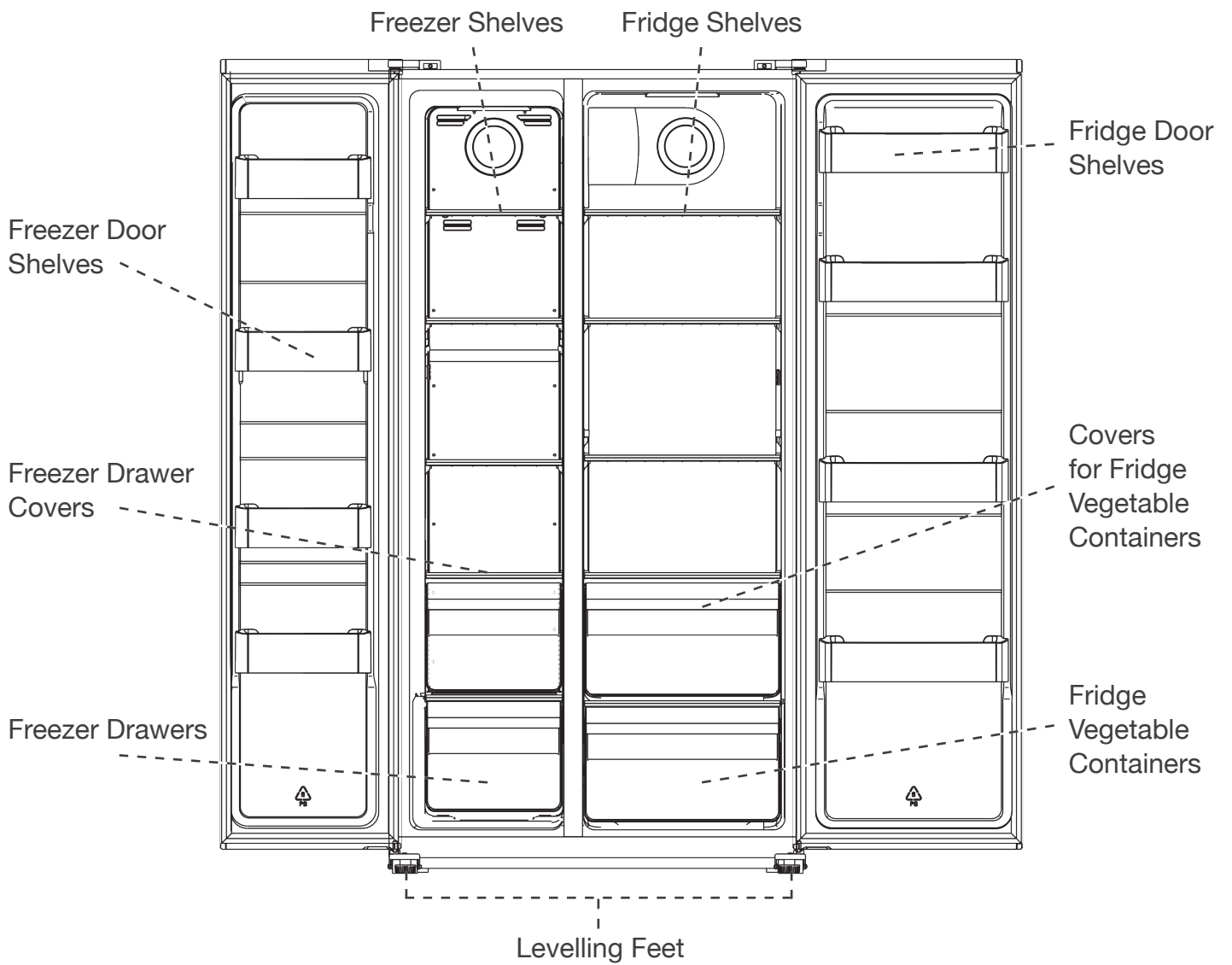
## Disposal of the Appliance

1. Disconnect the mains plug from the mains socket.
2. Cut off the mains cable and discard it.



**⚠ WARNING!** During use, service and disposal the appliance, please pay attention to the symbol shown on the left, which is located on the rear of appliance (rear panel or compressor) and with yellow or orange color. It's the risk of fire warning symbol. There are flammable materials in the refrigerant pipes and compressor. Ensure the appliance is nowhere near any fire sources during use.

## PRODUCT OVERVIEW



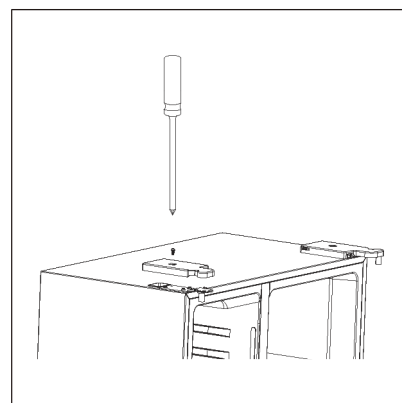
## INSTALLATION

### Remove the Doors

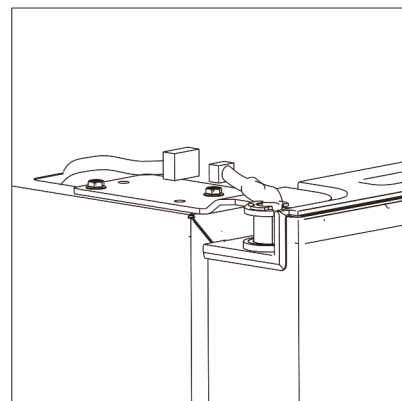
**Tool required:** Philips screwdriver, flat headed screwdriver.

- Ensure the unit is unplugged and empty.
- To take the door off, it is necessary to tilt the unit backwards. You should rest the unit on something solid so that it will not slip during the door removing process.
- All parts removed must be saved to do the reinstallation of the door.
- Do not lay the unit flat as this may damage the coolant system.
- **SAFETY ADVICE: It's better that 2 people handle the unit during assembly to prevent risk of injury.**

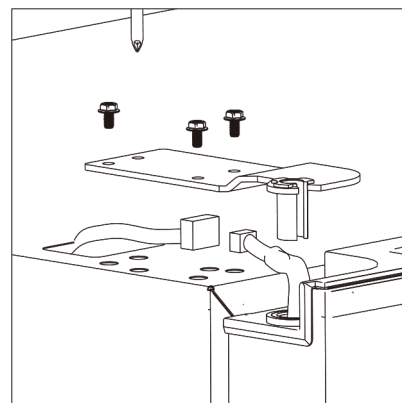
1. Unscrew hinge cover using a Philips screwdriver.



2. Disconnect the harness.

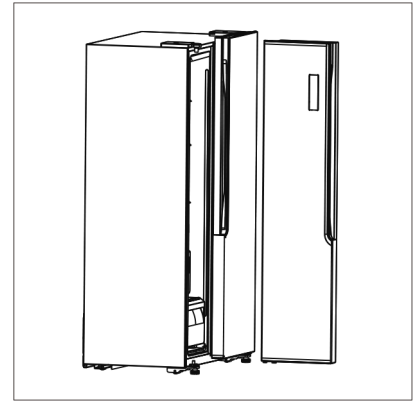


3. Unscrew top hinge.

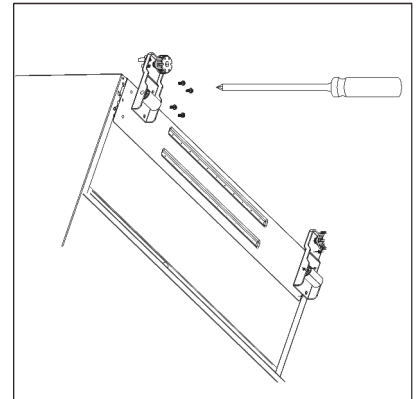




4. Lift the door and place it on a soft pad. Then remove the other door using the same process.



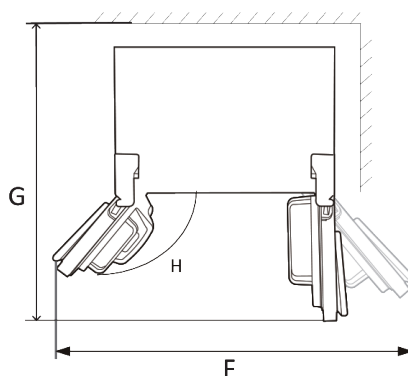
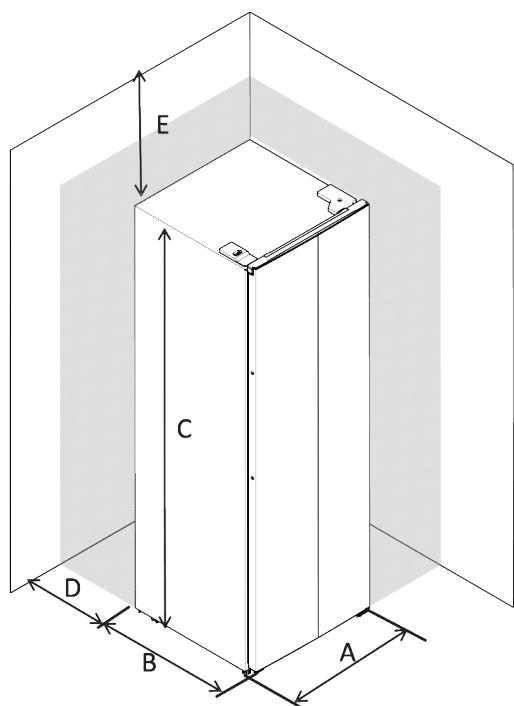
5. Unscrew bottom hinges.



6. After the appliance is positioned in the desired location, reinstall the doors using the removal instructions in reverse

## Space Requirement

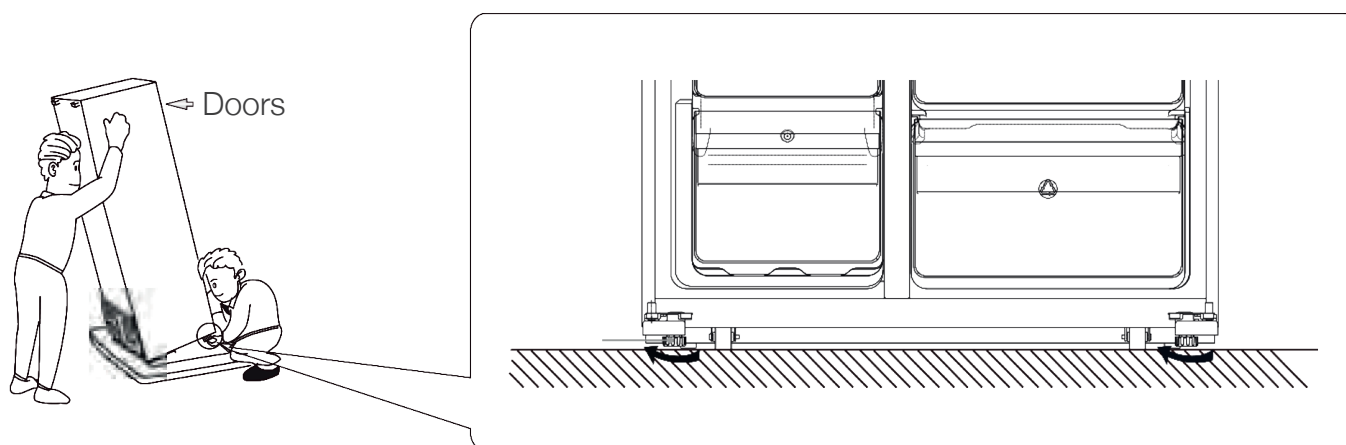
- Keep enough space for the doors to open.
- Keep at least 50mm gap around the two sides and back of the appliance.



A	900
B	660
C	1770
D	min=50
E	min=50
F	1800
G	1560
H	135°

## Leveling the Refrigerator

- Clockwise rotate feet to heighten them by hand
- Anti-clockwise rotate feet to lower them by hand



## Positioning

Install this appliance in a location where the ambient temperature corresponds to the climate class indicated on the rating plate of the appliance.

the relevant refrigerating appliance climate classes are as follows:

- Subnormal (SN): this refrigerating appliance is intended to be used at ambient temperatures ranging from 10 °C to 32 °C;
- Normal (N): this refrigerating appliance is intended to be used at ambient temperatures ranging from 16 °C to 32 °C;
- Subtropical (ST): this refrigerating appliance is intended to be used at ambient temperatures ranging from 16 °C to 38 °C;
- Tropical (T): this refrigerating appliance is intended to be used at ambient temperatures ranging from 16 °C to 43 °C

## Location

The appliance should be installed well away from sources of heat such as radiators, boilers, direct sunlight etc. Ensure that air can circulate freely around the back of the cabinet. To ensure best performance, if the appliance is positioned below an overhanging wall unit, the minimum distance between the top of the cabinet and the wall unit must be at least 100mm. Ideally, however, the appliance should not be positioned below overhanging wall units. Accurate leveling is ensured by one or more adjustable feet at the base of the cabinet.

This refrigerating appliance is not intended to be used as a built-in appliance;

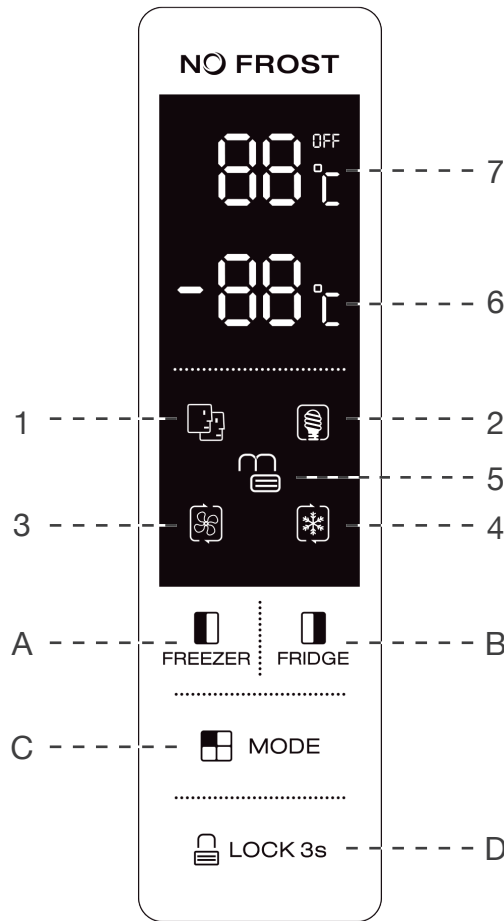
**WARNING! It must be possible to disconnect the appliance from the mains power supply; the plug must therefore be easily accessible after installation.**

## Electrical Connection

**Before plugging in, ensure that the voltage and frequency shown on the rating plate corresponds to your domestic power supply. The appliance must be earthed. The power supply cable plug is provided with a contact for this purpose.**

## OPERATING INSTRUCTIONS

### Using the Control Panel







### Buttons

- A** - Press to adjust temperature of freezer compartment (left side) from -14°C to -22°C
- B** - Press to adjust temperature of fridge compartment (right side) from 2°C to 8°C and switch off the refrigerator compartment.
- C** - Press to select running mode from **SMART**, **ECO**, **SUPER COOLING**, **SUPER FREEZING** and **USER'S SETTING** (no symbol in display).
- D** - Press **LOCK 3s.** button and hold for 3 seconds to lock other three buttons  
Press it and hold for 1 second to unlock other three buttons

### Display

- 1. SMART mode** - The refrigerator sets the temperature of two compartments automatically according to the internal temperature and ambient temperature.
- 2. ECO mode** - The refrigerator runs in lowest energy consumption setting
- 3. SUPER COOLING mode** - Cools the fridge compartment to the lowest possible temperature. After approx. 2.5 hours, the temperature setting would be restored to the previous user setting mode.
- 4. SUPER FREEZING mode** - Cools the freezer compartment to the lowest possible temperature. After approx. 50 hours, the temperature setting would be restored to the previous user setting mode.  
Tip: It's better to switch on **SUPER FREEZING** mode 24 hours ahead before large amount of food is placed in freezer compartment
- 5. LOCK** - The symbol will light on if buttons are locked.
- 6.** Display the setting temperature of freezer compartment.
- 7.** Display the setting temperature of fridge compartment

Mode	Indicator Light	Freezer Temperature Display	Fridge Temperature Display
Smart		The temperature display for freezer and fridge will change based on ambient temperature.	
ECO		-15°C	+8°C
Super Cooling		No Change	+2°C
Super Freezing		-25°C	No Change

### NOTES:

ECO mode: Select this mode when you want to save power.

Super Cooling mode: This mode allows you to cool foods quickly and will be automatically deactivated after 2.5 hours of operation.

Super Freezing mode: This mode allows you to freeze foods quickly and will be automatically deactivated after 50 hours of operation.





### Door Open Alarm

When any door is left open or not closed completely for about 90 seconds, the appliance will sound an alarm. Close the fridge door then the alarm will stop.

**If the door is not fully closed, then the alarm will sound every 35 seconds until the doors are fully closed. If doors are open for 10 continuous minutes without closing, the internal LED light would be turned off automatically.**

### Child Safety Lock

This function is designed to prevent children from operating the appliance

- To activate the function, press and hold  LOCK 3s for about 3 seconds. The lock indicator light  will illuminate indicating the safety lock function is activated.
- To deactivate the function, press and hold  LOCK 3s for about 1 second. The unlock indicator light  will illuminate indicating the safety lock function is deactivated.

## First Use

### Cleaning the Interior

Before using the appliance for the first time, wash the interior and all internal accessories with lukewarm water and some neutral soap so as to remove the typical smell of a brand new product, then dry thoroughly.

**Important!** Do not use detergents or abrasive powders, as these will damage the finish

### Daily Use

Position different food in different compartments according to the below table:

Refrigerator compartments	Type of food
Door or balconies of fridge compartment	<ul style="list-style-type: none"><li>• Foods with natural preservatives, such as jams, juices, drinks, condiments.</li><li>• Do not store perishable foods.</li></ul>
Crisper drawer (salad drawer)	<ul style="list-style-type: none"><li>• Fruits, herbs and vegetables should be placed separately in the crisper bin.</li><li>• Do not store bananas, onions, potatoes, garlic in the refrigerator</li></ul>
Fridge shelf – middle	<ul style="list-style-type: none"><li>• Dairy products, eggs</li></ul>
Fridge shelf – top	<ul style="list-style-type: none"><li>• Foods that do not need cooking, such as ready-to-eat foods, deli meats, leftovers.</li></ul>
Freezer drawer(s)/shelf	<ul style="list-style-type: none"><li>• Foods for long-term storage.</li><li>• Bottom drawer/shelf for raw meat, poultry, fish. Middle drawer/shelf for frozen vegetables, chips. Top drawer/shelf for ice cream, frozen fruit, frozen baked goods</li></ul>

### Thawing

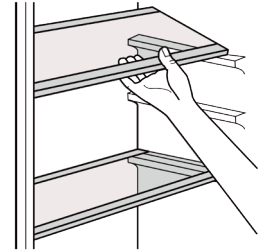
Deep-frozen or frozen food, prior to being used, can be thawed in the fridge compartment or at room temperature, depending on the time available for defrosting.

Small pieces may even be cooked if still frozen, directly from the freezer. In this case, cooking will take longer.

## Accessories

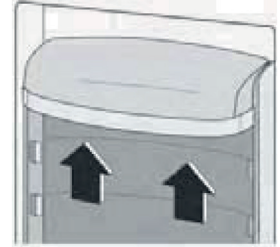
### Movable Shelves

The walls of the refrigerator compartment are equipped with a series of runners so that the shelves can be positioned as desired.



### Positioning the Door Balconies

To permit storage of food packages of various sizes, the door balconies can be placed at different heights. To make these adjustments, proceed as follows: gradually pull the balcony in the direction of the arrows until it comes free, then reposition as required.



Temperature Setting Recommendation		
Environment Temperature	Temperature Setting	
Summer		Fridge set on 4°C
		Freezer set on -18°C
Normal		Fridge set on 4°C
		Freezer set on -18°C
Winter		Fridge set on 4°C
		Freezer set on -18°C

Information above give users recommendation of temperature setting.

### Impact on Food Storage

- Under Recommended setting, the best storage time of fridge is no more than 3 days.
- Under Recommended setting, the best storage time of freezer is no more than 1 month.
- The best storage time may reduce under other settings.

## Helpful Hints and Tips

### Hints for Freezing

To help you make the most of the freezing process, here are some important hints:

- The maximum quantity of food which can be frozen in 24 hrs. is shown on the rating plate;
- The freezing process takes 24 hours. No further food to be frozen should be added during this period; only freeze top quality, fresh and thoroughly cleaned, foodstuffs;
- Prepare food in small portions to enable it to be rapidly and completely frozen and to make it possible subsequently to thaw only the quantity required;
- Wrap up the food in aluminium foil or polythene and make sure that the packages are airtight; do not allow fresh, unfrozen food to touch food which is already frozen, thus avoiding a rise in temperature of the latter;
- Lean foods store better and longer than fatty ones; salt reduces the storage life of food;
- Water ices, if consumed immediately after removal from the freezer compartment, can possibly cause the skin to be freeze burnt;
- It is advisable to show the freezing in date on each individual pack to enable you to keep tab of the storage time.

### Hints for Storage of Frozen Food

To obtain the best performance from this appliance , you should:

- Make sure that the commercially frozen foodstuffs were adequately stored by the retailer;
- Be sure that frozen foodstuffs are transferred from the food store to the freezer in the shortest possible time;
- Do not open the door frequently or leave it open longer than absolutely necessary. Once defrosted, food deteriorates rapidly and cannot be refrozen;
- Do not exceed the storage period indicated by the food manufacturer.

### Hints for Refrigeration

Useful hints:

- Do not store warm food or evaporating liquids in the refrigerator
- Make (all types): wrap in polythene bags and place on the glass shelves above the vegetable drawer
- For safety , store in this way only one or two days at the most.
- Cooked foods , cold dishes, etc ...: these should be covered and may be placed on any shelf.
- Fruit and vegetables: these should be thoroughly cleaned and placed in the special drawer(s) provided. butter and cheese: these should be placed in special airtight containers or wrapped in aluminum foil or polythene bags to exclude as much air as possible. Bananas, potatoes, onions and garlic, if not packed, must not be kept in the fridge.
- Milk bottle: these should have a cap and should be stored in the balconies on the door.



## CLEANING AND MAINTENANCE

For hygiene reasons the appliance interior, including interior accessories, should be cleaned regularly.



**CAUTION! The appliance may not be connected to the mains during cleaning. Danger of electrical shock! Before cleaning switch the appliance off and remove the plug from the mains, or switch off or turn out the circuit breaker or fuse. Never clean the appliance with a steam cleaner. Moisture could accumulate in electrical components, danger of electrical shock! Hot vapors can lead to the damage of plastic parts. The appliance must be dry before it is placed back into service.**

**Important!** Ethereal oils and organic solvents can attack plastic parts, e.g. lemon juice or the juice from orange peel, butyric acid, cleanser that contain acetic acid.

- Do not allow such substances to come into contact with any part of the appliance.
- Do not use any abrasive cleaners
- Remove the food from the freezer. Store them in a cool place, well covered.
- Switch the appliance off and remove the plug from the mains, or switch off or turn out the circuit breaker or fuse.
- Clean the appliance and the interior accessories with a cloth and lukewarm water. After cleaning wipe with fresh water and rub dry.
- After everything is dry place appliance back into service.

## TROUBLESHOOTING GUIDE

If you are having problems with your appliance, please use our troubleshooting guide below. If you are unable to resolve the issue using this guide, please ring our Customer Service Department on 0844 848 5861. Please have the model code and purchase information available.

**Important!** There are some sounds during normal use (compressor, refrigerant circulation)

PROBLEM	POSSIBLE CAUSE	SOLUTION
Appliance does not work	Mains plug is not plugged in or is loose	Insert mains plug
	Fuse has blown or is defective	Check fuse, replace if necessary
	Socket is defective	Mains malfunctions are to be corrected by an electrician
Appliance freezes or cools too much	Temperature is set too cold or the appliance runs at <b>SUPER</b> modes	Turn the temperature regulator to a warmer setting temporarily
The food is not frozen enough	Temperature is not properly adjusted	Please look in the initial Temperature Setting section
	Door was open for an extended period	Open the door only as long as necessary
	A large quantity of food was placed in the appliance within the last 24 hours	Turn the temperature regulation to a colder setting temporarily
	The appliance is near a heat source	Please look in the installation location section
Heavy build up of frost on the door seal	Door seal is not air tight	Carefully warm the leaking sections of the door seal with a hair dryer (on a cool setting). At the same time shape the warmed door seal by hand such that it sits correctly
Unusual noises	Appliance is not level	Re-adjust the feet
	The appliance is touching the wall or other objects	Move the appliance slightly
	A component, e.g a pipe, on the rear of the appliance is touching another part of the appliance or the wall.	If necessary, carefully bend the component out of the way
Side panels are hot	It's normal. Heat exchange is in the side panels	Take gloves to touch side panels if needed

## Disposal of Old Electrical Appliances

The European Directive 2002/96/EC on Waste Electrical and Electronic Equipment (WEEE), requires that old household electrical appliances must not be disposed of in normal unsorted municipal waste. Old appliances must be collected separately in order to optimise the recovery and recycling of the materials they contain and reduce the impact on human health and the environment. The crossed out “wheeled bin” symbol on the product reminds you of your obligation, that when you dispose of the appliance it must be separately collected. Consumers should contact their local authority or retailer for information concerning the correct disposal of their old appliance.



**STATESMAN**  
kitchen appliances

**38 Bluestem Road,  
Ransomes Europark  
Ipswich, IP3 9RR**

**0844 848 5861**