

# STATESMAN

kitchen appliances

---



**SKMS0923DSB / SKMS0923DSS**  
**23L 900W DIGITAL SOLO MICROWAVE**  
**BLACK/SILVER**

## Instruction Manual

Please read these instructions carefully before use and retain for future reference. Before switching on your appliance – Always check for any damage that may have been caused in transit.

## CONTENTS

Important Safety Instructions .....	3-6
Product Specification.....	7
Appliance Overview.....	8-9
Installation.....	10-11
Operating Instructions .....	12-16
Cooking Utensils & Container Guidelines .....	17
Cooking Tips .....	18
Cleaning & Maintenance.....	19
Trouble Shooting Guide .....	20
Caution High Voltage .....	21
Mains Plug Fuse Replacement.....	22
Disposal Information.....	22
Statesman Warranty/Guarantee Information.....	23

## PRECAUTIONS TO AVOID POSSIBLE EXPOSURE TO EXCESSIVE MICROWAVE ENERGY

- a) Do not attempt to operate this microwave oven with the door open since this can result in harmful exposure to microwave energy. It is important not to break or tamper with the safety interlocks.
  
- (b) Do not place any object between the microwave oven front face and the door or allow soil or cleaner residue to accumulate on sealing surfaces.
  
- (c) If the door or door seals are damaged, the microwave oven must not be operated until it has been repaired by a competent and qualified person.
  
- (d) The microwave oven should not be modified or repaired by anyone except qualified service personnel.

## IMPORTANT SAFETY INSTRUCTIONS

The following basic precautions should always be followed when using this electrical appliance. Carefully read all instructions before operating and save for future reference:

Use this appliance only for its intended use as described in the manual. Do not use corrosive chemicals or vapours in this appliance. This type of oven is specifically designed to heat, cook or dry food. It is not designed for industrial or laboratory use.

- Do not operate the microwave oven when empty.
- Do not operate this appliance if it has a damaged cord or plug, if it is not working properly, or if it has been damaged or dropped. If the supply cord is damaged, it must be replaced by the manufacturer or its service agent or a similarly qualified person to avoid a hazard.



**WARNING:** Only allow children to use the oven without supervision when adequate instructions have been given so that the child is able to use the oven in a safe way and understands the hazards of improper use.

- To reduce the risk of fire in the oven cavity:
  - Keep an eye on the microwave oven when heating food in plastic or paper containers due to the possibility of ignition.
  - Remove wire twist-ties from paper or plastic bags before placing them into the microwave oven.
  - If smoke is observed during cooking, switch off and unplug the appliance immediately and keep the door closed to stifle any flames.
  - Do not use the microwave cavity for storage purposes. Do not leave paper products, cooking utensils, or food in the cavity when not in use.

- The microwave oven is intended for heating food and beverages only. Drying of clothing and heating of warming pads, slippers, sponges, damp cloth and similar may lead to risk of injury, ignition or fire.



**WARNING:** Liquid or other food must not be heated in sealed containers since they are liable to explode.

- Microwave heating of beverages can result in delayed eruptive boiling; Care must be taken when handling the container.
- Do not attempt to fry food in the microwave oven. Hot oil can damage the microwave and utensils and may even cause skin burns if not handled carefully.
- Eggs in their shell and whole hard-boiled eggs should not be heated in microwaves since they may explode even after microwave heating has ended.
- Pierce foods with heavy skins such as potatoes, whole squashes, apples, and chestnuts before cooking.
- Liquid inside feeding bottles and baby jars should be stirred or shaken and the temperature should be checked before serving to avoid burns.
- Cooking utensils may become hot after cooking because of heat transferred from the heated food. Potholders may be needed to handle the utensil.
- Utensils and containers should be checked to ensure that they are suitable for use in a microwave oven.



**WARNING:** It is hazardous for anyone other than a trained and qualified person to carry out any service or repair operation which involves the removal of any cover which gives protection against exposure to microwave energy.

- This microwave complies with EN 55011/CISPR 11, in this standard it belongs to Class B Group 2 classification. Group 2 equipment: group 2 contains all ISM RF equipment in which

radio-frequency energy in the frequency range 9 kHz to 400 GHz is intentionally generated and used or only used locally, in the form of electromagnetic radiation, inductive and/or capacitive coupling, for the treatment of material, for inspection/analysis purposes, or for transfer of electromagnetic energy. Class B equipment is equipment suitable for use in locations in residential environments and in establishments directly connected to a low voltage power supply network which supplies buildings used for domestic purposes.

- This appliance is not intended for use by persons (including children) with reduced physical, sensory or mental capabilities, or lack of experience and knowledge, unless they have been given supervision or instruction concerning use of the appliance by a person responsible for their safety.
- Children should be supervised to ensure that they do not play with the appliance.
- Cleaning and user maintenance shall not be made by children unless they are aged 8 years and above and supervised.
- The microwave oven should only be used as freestanding.



**WARNING:** Do not install the microwave oven over a range cooktop or other heat-producing appliance. This could cause damage and would invalidate the warranty.

- The microwave oven must not be placed in a cabinet.
- During use the appliance becomes hot. Care should be taken to avoid touching heating elements inside the oven.



**WARNING:** Accessible parts may become hot during use. Young children should be kept away.

- The appliance is not intended to be operated by means of an external timer or separate remote-control system.
- The microwave oven is for household use only.

- Never remove the distance holder at the back of the microwave as it ensures air circulation by maintaining the minimum required distance from the wall.
- Please secure the turntable before you move the appliance to avoid damage.

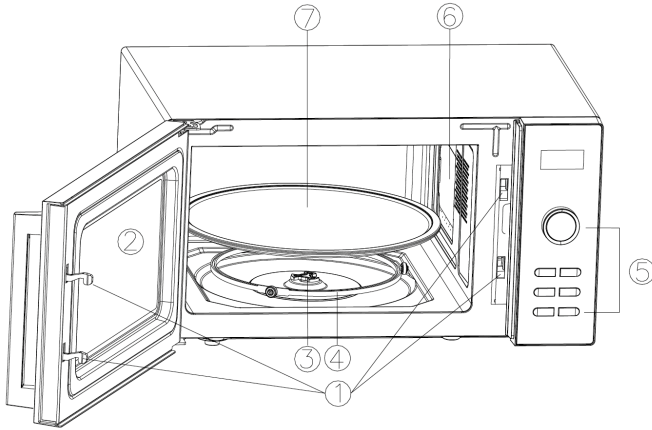
## PRODUCT SPECIFICATION

Model:	SKMS0923DSB/S
Voltage/Frequency:	230-240V~50Hz
Rated Input Power (Microwave):	1400W
Rated Output Power (Microwave):	900W
Oven Capacity:	23L
Turntable Diameter:	270mm
Product Dimensions (mm):	H:281 x W:483 x D:406
Cavity Dimensions (mm):	H:217 x W:340 x D:337
Net Weight:	13.5 kg
Power Consumption in Stand-by Mode:	<0.8W

**Please Note:** The microwave will automatically enter stand-by mode after a maximum of 20 minutes of inactivity.

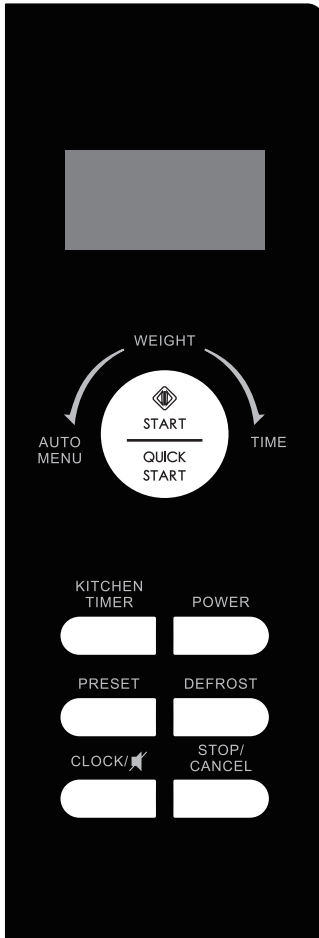
For further information about this product, including the power consumption in low power modes required by (EU) 2023/826, go to <https://www.statesmanappliances.co.uk> and search for SKMS0923DSB or SKMS0923DSS.


# APPLIANCE OVERVIEW



1. Door Safety Lock – Microwave door must be properly closed for it to operate.
2. Viewing Window – Allows user to view the cooking status.
3. Rotating Axis – The glass turntable sits on the axis; the motor underneath it drives the turntable to rotate.
4. Rotating Ring – The glass turntable sits on its wheels; it supports the turntable and helps it to balance when rotating.
5. Control Panel (See next page).
6. Waveguide cover - Never remove the waveguide cover located inside the microwave.
7. Glass Turntable – Place the rotating ring in the microwave first, then fit the turntable onto the rotating axis and make sure that it is located over the gear mechanism. The food sits on the turntable and its rotation during operation helps to cook food evenly.

## Control Panel



- **DISPLAY**  
Cooking time, power and indicators are displayed.
- **AUTO MENU/TIME (Control Dial)**  
Turn the control dial to set cooking time, food weight or servings.  
Turn the control dial to select auto cooking menus.
- **START/QUICK START (Control Dial)**  
Press the control dial to start the selected cooking menu.  
Press the control dial to start cooking immediately at full power (Express Cooking).
- **KITCHEN TIMER**  
Press to set the timer.
- **POWER**  
Press to set the cooking power level.
- **PRESET**  
Press to set the microwave to start cooking at a later time.
- **DEFROST**  
Press once to defrost food by time.  
Press twice to defrost food by weight.
- **CLOCK**   
Press to set the clock.  
Press & hold to set the mute function.
- **STOP/CANCEL**  
Press once to stop cooking temporarily.  
Press twice to cancel cooking altogether.

## INSTALLATION




**WARNING:** Remove all packaging. Check carefully for damage, such as a misaligned or bent door, damaged door seals and sealing surface, broken or loose door hinges and latches, and dents inside the cavity. If any damage is evident, do not use the microwave and notify the service centre immediately.

1. The microwave oven must be placed on a flat, stable surface to support its weight.
2. The microwave oven must be placed in a dry environment and kept away from heat and humidity, such as gas burners or water tanks.
3. To ensure sufficient ventilation, the distance from the back of the microwave to the wall should be at least 10cm, the side to the wall at least 5cm, the free distance above the top surface at least 20cm and the distance from the microwave to the ground at least 85cm. The microwave rear plate must remain intact and placed close to the back wall. Do not cover or block any opening on the microwave. Do not remove the microwave feet.
4. The position of the microwave should be such that it is located at least 5m from any TVs, radios or antennas as these can cause interference.
5. The appliance must be positioned so that the plug is readily accessible to unplug in an emergency and to ensure proper grounding in case of leakage.
6. Make sure that the power supply cord is undamaged and does not run under the microwave or over any hot or sharp surfaces.
7. The microwave must be operated with the door closed.
8. Do not operate the microwave without the turntable, rotating ring or the rotating axis in their proper positions.
9. As there could be manufacturing residue or oil remaining in the microwave cavity or on the heating element, it is normal for there to be an odour or slight smoke upon initial use. This should not occur after the microwave has been used several times. Keep the door and window open to ensure good ventilation. To reduce any residual odour before cooking food or beverages for the first time, place a cup of water on the turntable, set the microwave to high power, and operate it for 2–3 minutes. Repeat these steps several times if necessary.

**Please Note:** If you have any questions regarding the grounding or electrical instructions, consult a qualified electrician or service technician. Neither the manufacturer nor the retailer can accept any liability for damage to the oven or personal injury resulting from failure to follow the electrical connection procedures.

## OPERATING INSTRUCTIONS

- When the oven is first plugged in, a beep will sound, and the display will show "1:01" and .
- During setting, the microwave will return to standby mode if there is no operation within 30 seconds.
- During cooking, pressing the "**STOP/CANCEL**" button once will pause the cooking program temporarily; press the "**START/QUICK START**" button to resume cooking. Pressing the "**STOP/CANCEL**" button twice in quick succession will cancel the program entirely.
- After cooking ends, a beep will sound, and the display will show "End". A beep will repeat every 2 minutes until the user presses any button or opens the microwave door.

### Clock Setting

A 12 or 24-hour clock can be set during stand-by mode.

1. In stand-by mode, press the "**CLOCK/MUTE**" button once or twice to set a 12 or 24-hour clock.
2. Turn the control dial to adjust and set the hour figures.
3. Press the "**CLOCK/MUTE**" button to confirm.
4. Turn the control dial again to adjust and set the minute figures.
5. Press the "**CLOCK/MUTE**" button to confirm.

**Please Note:** During cooking, you can check the current clock time by pressing the "**CLOCK/MUTE**" button.

**Please Note:** If the clock is not set, it will not function when the microwave is turned on.

### Kitchen Timer Setting

The microwave oven can be used as a regular kitchen timer, providing added convenience in the kitchen.

1. Press the "**KITCHEN TIMER**" button once.
2. Turn the control dial to set the desired time, up to a maximum of 95 minutes.
3. Press the "**KITCHEN TIMER**" or "**START/QUICK START**" button to confirm.

**Please Note:** A beep will sound when the countdown ends. You can check the remaining time by pressing the “**KITCHEN TIMER**” button once. The timer will be cancelled if you press the “**STOP/CANCEL**” button while the countdown is displayed.

## Microwave Cooking

The microwave oven has 11 power levels (Including 0% cooking power).

Press the ‘POWER’ Button	Power	Press the ‘POWER’ Button	Power
Once	100%	7 times	40%
Twice	90%	8 times	30%
3 times	80%	9 times	20%
4 times	70%	10 times	10%
5 times	60%	11 times	0%
6 times	50%		

1. In stand-by mode, press the “**POWER**” button repeatedly to select the desired microwave power level.
2. Turn the control dial to adjust and set the desired cooking time (The maximum cooking time is 95 minutes).
3. Press the “**START/QUICK START**” button to confirm and start cooking. A beeping sound will be heard when cooking is completed.

**Please Note:** Never operate the microwave oven empty and never use a grill rack during microwave cooking.

**Please Note:** During cooking, you can check the microwave power level by pressing the “**POWER**” button.

## Express Cooking

During stand-by mode, press the “**START/QUICK START**” button to quickly start cooking at full power after food is put into the microwave and the door is closed. The default cooking time is 30 seconds. Press the “**START/QUICK START**” button repeatedly to add cooking time by 30 seconds with each press (The maximum cooking time in express cooking is 10 minutes). A beeping sound will be heard when cooking is completed.

## Defrost Cooking

This microwave has 2 defrost modes, defrost by time and defrost by weight.

### Defrost by Time

1. In stand-by mode, press the “**DEFROST**” button once.
2. Turn the control dial to select the desired defrosting time, up to a maximum of 95 minutes.
3. Press the “**START/QUICK START**” button to confirm and start defrosting.

**Please Note:** During defrosting, the buzzer will “beep” after around half of the time has passed to remind you to turn the food over. Press the “**START/ QUICK START**” button to resume cooking once done.

### Defrost by Weight

The defrosting time and microwave power level are automatically set once the food weight is set. The frozen food weight can range from 100g to 1800g.

1. In stand-by mode, press the “**DEFROST**” button twice.
2. Turn the control dial to select the desired food weight.
3. Press the “**START/QUICK START**” button to confirm and start cooking.

**Please Note:** During defrosting, the buzzer will “beep” after around half of the time has passed to remind you to turn the food over. Press the “**START/ QUICK START**” button to resume cooking once done.

### Preset Function

The Preset Function allows you to set the microwave oven to start a cooking program at a later time, up to a maximum of 24 hours.

1. Select a cooking program (except defrost and express cooking).
2. Press the “**PRESET**” button once.
3. Turn the control dial to adjust and set the hour figures.
4. Press the “**PRESET**” button to confirm.
5. Turn the control dial again to adjust and set the minute figures.
6. Press the “**PRESET**” or “**START/QUICK START**” button to confirm.

**Please Note:** In preset mode, you can check the preset time by pressing the “**PRESET**” button. Pressing the “**STOP/CANCEL**” button while the preset time is displayed will cancel the preset entirely.

## Multi-Stage Cooking

The microwave oven can be programmed for up to two automatic cooking sequences. For example, to set the following cooking program:

*Microwave Cooking at 100% power for 2 minutes > Microwave cooking at 60% power for 1 minute*

1. Input the first cooking stage by selecting the desired power level and cooking time. **DO NOT** press the “**START/QUICK START**” button.
2. Input the second cooking stage under the desired settings.
3. Press the “**START/QUICK START**” button to start cooking.

**Please Note:** Defrost, express cooking and auto cooking menus cannot be selected in the multi-stage cooking program.

## Auto Cooking

The microwave oven has 6 automatic cooking menus.

Menu	Food	Note
A-01	Coffee (200ml/cup, 1-3 cups)	<ul style="list-style-type: none"><li>• For Coffee and Potatoes, the display will not show the icon “G”.</li><li>• The results of auto cooking may vary depending on factors such as the shape, size and doneness of the food, as well as its placement in the microwave. If the results are not satisfactory, please adjust the food proportion accordingly.</li></ul>
A-02	Rice (150-600g)	
A-03	Spaghetti (100/200/300g)	
A-04	Potatoes (230±10g/serving, 1-2 servings)	
A-05	Auto Reheat (200-800g)	
A-06	Fish (200-600g)	

1. In stand-by mode, turn the control dial anticlockwise once. The display will show auto cooking menu “**A-01**”. Turn the control dial continuously to scroll and select other menus from “**A-01**” to “**A-06**”.
2. Once the desired auto cooking menu is selected, press the “**START/QUICK START**” button once.
3. Turn the control dial to select the food weight, portion or number of servings.
4. Press the “**START/QUICK START**” button to start cooking.

## Child Lock

You can use this function to lock the control panel when cleaning or to prevent children from accidentally turning the microwave on. In stand-by mode, the microwave will automatically activate the child lock after 1 minute of inactivity, and the display will show “**LOCK**”. When the child lock is activated, all buttons on the control panel will be disabled to prevent accidental operation. During lock mode, opening or closing the microwave door will deactivate the lock, and “**LOCK**” will turn off on the display.

## Mute Function

To activate the mute function: In stand-by mode, press and hold the “**CLOCK/MUTE**” button for 3 seconds. A beep will sound, and the display will show “**OFF**” for 5 seconds before returning to stand-by mode. The buzzer sound is now turned off.

To cancel the mute function: In mute and stand-by mode, press and hold the “**CLOCK/MUTE**” button for 3 seconds. A beep will sound, and the display will show “**ON**” for 5 seconds before returning to stand-by mode. The buzzer sound is now turned back on.

# COOKING UTENSILS & CONTAINER GUIDELINES

1. It is strongly recommended to use utensils or containers that are marked as microwave safe. In general, utensils or containers which are made of heat-resistant ceramic, glass or plastic are suitable for microwave cooking. Never use metal containers for microwave cooking as sparking is likely to occur.
2. Do not use recycled paper products when microwave cooking, as they may contain small metal fragments that may cause sparks and/or fires.
3. Round/oval containers are recommended as food at each corners tend to overcook.

<b>Cookware</b>	<b>Microwave Cooking</b>
Heat-Resistant Glass	Yes
Non Heat-Resistant Glass	No
Heat-Resistant Ceramics	Yes
Microwave-Safe Plastic Dish	Yes
Kitchen Paper	Yes
Metal Tray	No
Metal Rack	No
Aluminium Foil & Foil Containers	No

## **COOKING TIPS**

The following factors may affect the cooking result:

### **Food arrangement**

Place thicker areas towards the outside of the dish and the thinner part towards the centre and spread evenly. Do not overlap if possible.

### **Cooking time**

Start cooking with a short time setting, evaluate it after it times out and extend it according to the actual need. Over cooking may result in smoke and burns.

### **Cooking food evenly**

Food such as chicken, hamburgers or steak should be turned at least once during cooking. Depending on the type of food, if applicable remove it and stir it from outside to centre of the dish once or twice during cooking.

### **Allow standing time**

After timer is finished, leave the food in the microwave for an adequate length of time, this allows it to complete its cooking cycle and begin cooling down in a gradual manner.

### **Microwave safe plastic wrap**

When cooking food with high fat content, do not allow the plastic wrap to come into contact with food as it may melt.

### **Microwave safe plastic cookware**

Some microwave safe plastic cookware might not be suitable for cooking foods with high fat and sugar content. The preheating time specified in the cooking instructions of each food/beverage must not be exceeded.

## CLEANING & MAINTENANCE

1. Turn off the microwave oven and unplug the power cord when cleaning.
2. Keep the microwave cavity clean. Wipe it with a soft damp cloth if food splatters or spilled liquids adhere to the cavity. Mild detergents may be used if the microwave cavity becomes very dirty. Avoid using spray or harsh cleaners as they may stain or damage the cavity and door surfaces.
3. The exterior of the microwave should be cleaned with a soft damp cloth. Never allow water to enter the ventilation openings.
4. Wipe both sides of the door, the door seals, and adjacent parts frequently with a soft damp cloth to remove any spills or splatters.
5. Do not use a steam cleaner to clean the microwave.
6. Wipe clean the control panel with a soft damp cloth.
7. If steam accumulates inside or around the outside of the microwave door, wipe it with a soft damp cloth. This is normal and may occur when the microwave is used in very humid environments.
8. Remove and clean the turntable regularly. Wash the turntable in warm soapy water or in a dishwasher.
9. The rotating ring and microwave cavity floor should also be cleaned regularly. Wipe the cavity floor with mild detergent. The rotating ring may be washed with warm soapy water or in a dishwasher. After cleaning, ensure the rotating ring is placed back in the correct position.
10. To remove odour from the microwave cavity, place a cup of water with the juice and skin of a lemon in a microwave-safe bowl. Heat for 5 minutes, then wipe the cavity thoroughly and dry with a soft damp cloth.
11. If the internal light bulb burns out, please contact customer service for replacement.
12. The microwave should be cleaned regularly, and any food residue should be removed. Failure to maintain the microwave in a clean condition may lead to deterioration of its surfaces, which could adversely affect the life of the unit and could possibly result in a hazardous situation.

## TROUBLE SHOOTING GUIDE

If you experience difficulties with the appliance, please check the suggestions below before contacting customer services on 01473 277 508:

<b>Normal</b>	
Microwave oven interfering with TV reception	Radio and TV reception may be interfered with when the microwave oven is operating. It is similar to the interference of small electrical appliances, like food mixers, vacuum cleaners and electric fans. It is normal.
Dim oven light	In low power microwave cooking, the oven light may become dim. It is normal.
Steam accumulating on door, hot air out of vents	During cooking steam may be produced. Most will escape through the vents, but some may accumulate on cooler surfaces like the oven door. It is normal.
Oven started accidentally with no food inside	It is dangerous to run the microwave without any food inside. Turn off immediately.

<b>Problem</b>	<b>Possible Cause</b>	<b>Possible Solution</b>
Oven cannot be started	Power cord not plugged in tightly	Unplug, then plug in again after 10 seconds
	Fuse blown	Replace fuse or reset circuit breaker (the oven should not be repaired by anyone except qualified service personnel)
	Trouble with outlet	Test outlet with other electrical appliances
Oven does not heat	Door not closed properly	Close door properly

## CAUTION HIGH VOLTAGE WARNING



This appliance is equipped with an earthed plug for your protection against possible shock hazards and should be connected to a properly earthed power socket.

Do not operate this oven if the door is bent, warped or otherwise damaged and does not close firmly.

Do not tamper with the door safety interlocks.

This device is to be serviced only by a qualified electrician.

Disconnect the plug from the mains before servicing.

## MAINS PLUG FUSE REPLACEMENT

### Fuse Replacement (Class I)

This appliance must be earthed. Remove the fuse cover with a small flat head screw driver. Take out the fuse and replace with a new fuse of the same Amp. Replace the fuse cover and push back into place.



## DISPOSAL OF OLD ELECTRICAL APPLIANCES

The European Directive 2012/19/EU on Waste Electrical and Electronic Equipment (WEEE), requires that old household electrical appliances must not be disposed of in normal unsorted municipal waste. Old appliances must be collected separately in order to optimise the recovery and recycling of the materials they contain and reduce the impact on human health and the environment. The crossed out “wheeled bin” symbol on the product reminds you of your obligation, that when you dispose of the appliance it must be separately collected. Consumers should contact their local authority or retailer for information concerning the correct disposal of their old appliance.



## STATESMAN WARRANTY/GUARANTEE TERMS & CONDITIONS

### THANK YOU FOR CHOOSING STATESMAN

As a valued customer we would like to offer you a **FREE 2-year warranty** to cover your product against any electrical or mechanical defects.

This means that in the unlikely event you develop a fault or problem with your product we will happily repair or replace the item free of charge.

To qualify for the guarantee, the product must be used for domestic household use only and in accordance with the instructions in the user manual. Any misuse of the product will result in the warranty being void.

The guarantee does not cover accidental damage, misuse, neglect, tampering or incorrect adjustment or installation.

The guarantee will be rendered invalid if the product is resold, has had its serial number or rating label removed (or has an invalid serial number or rating label), or if an unauthorised person has carried out any repairs or alterations.

The warranty does not cover accessories or consumable parts that require replacement under normal use. This includes shelving, dials, filters, belts and trays etc.

In the unlikely event of a breakdown please refer to the Troubleshooting Guide in your user manual and check all plugs, fuses and the electricity supply.

If you still require assistance, please contact our Customer Service Department on **01473 277 508** or write to us at the following address:

**Customer Service Department  
38 Bluestem Road, Ransomes Industrial Estate, Ipswich, IP3 9RR**

Please quote the Product Code and the PO number on the rating label and give details of the exact fault. We will then decide whether to replace the item.

**IMPORTANT NOTE: Before we arrange the replacement, you will be required to return a copy of your proof of purchase. Please retain your original.**

**If an item is replaced within the agreed warranty period, the warranty for the replacement item will be calculated from the purchase date of the original.**

In the event that the product is inspected, and no fault is found, or the product is not within the guarantee period you will be charged for the repair and any carriage costs.



**STATESMAN**  
kitchen appliances

**UK: 38 Bluestem Road, Ransomes Europark, Ipswich, IP3 9RR**  
**EU: Castle Electrical Factors Ltd., Dundalk, A91 KA9R, IR**

**01473 277 508**