

STATESMAN

kitchen appliances



UC47LFW

47CM UNDER COUNTER LARDER FRIDGE WHITE

Instruction Manual

Please read these instructions carefully before use and retain for future reference.
Before switching on your appliance – Always check for any damage that may have been caused in transit.

CONTENTS

Important Safety Instructions	3-6
Technical Specification	7
Appliance Overview.....	8
Installation.....	9-11
Operating Instructions	12-13
Cleaning and Maintenance.....	14-15
Troubleshooting Guide.....	16-18
Fuse Replacement.....	19
Disposal Information.....	19

IMPORTANT SAFETY INSTRUCTIONS

Read and follow all the instructions even if you feel you are familiar with the product and find a place to keep this manual handy for future reference.



WARNING: This product is intended for use in household and similar applications such as staff kitchen areas in shops, offices and other working environments; farm houses and by clients in hotels, motels and other residential type environments; bed and breakfast type environments; catering and similar non-retail applications.



WARNING: This appliance is not intended for use by persons with reduced physical, sensory or mental capabilities, or lack of experience and knowledge, unless they have been given supervision or instruction concerning use of the appliance by a person responsible for their safety.

- Do not operate the appliance with a damaged cord or plug, or after it malfunctions or has been dropped or damaged in any way.
- All electrical repairs must be carried out by a qualified electrician. Inadequate repairs may result in a major source of danger for the user and invalidate the warranty.
- Check the voltage of the appliance matches the household voltage, which is located on the rating label.
- Any replacement or maintenance of the LED lamps is intended to be made by the manufacturer, its service agent or similar qualified person.
- This refrigerating appliance is not intended to be used as a built-in appliance.
- This appliance can be used by children aged from 8 years and above if they have been given supervision or instruction concerning the use of the appliance in a safe way and understand the hazards involved.
- The appliance can be used by persons with reduced physical, sensory, or mental capabilities or lack of experience and knowledge, if they have been given supervision or instruction concerning the use of the appliance in a safe way and understand the hazards involved.
- Cleaning and user maintenance should not be carried out by children without supervision.
- Keep the appliance and its cord out of reach of children.
- Children should be supervised to ensure that they do not play with the appliance.
- Children should not be allowed to get into or climb on the refrigerator.
- Keep all packaging well away from children as there is a risk of suffocation.
- Children aged from 3 and above are allowed to load and unload refrigerating appliances.
- When disconnecting from the power supply, pull the plug and not the cord.
- This product is for indoor use only.
- Do not store flammable, explosive, volatile or corrosive items such as aerosol cans with a flammable propellant in or near the appliance to prevent damage or accidents including fire risk.
- The refrigerant of this product is R600a which is flammable. Ensure when moving the appliance or during installation that the cooling system does not get damaged.
- Do not touch the light bulb if it has been on for a long period of time because it could be very hot.
- Do not place flammable items near the refrigerator.
- Do not place the appliance in a location where it can be splashed with water.
- Avoid getting water into the electric components of the appliance i.e., the thermostat, as this may damage your appliance.
- During transportation and installation of the appliance, be certain that none of the components

of the refrigerant circuit become damaged.

- Make sure that the power plug is not squashed or damaged by the back of the appliance. A squashed or damaged power plug may overheat and cause a fire.
- Do not remove or touch items from the freezer compartment if your hands are damp/wet, as this could cause skin abrasions and/or freezer burns.
- Do not store beverages or other fluids contained in bottles or enclosed containers in the freezing chamber of the appliance, otherwise the bottles or enclosed containers may crack due to freezing and cause damage.
- Do not exceed the storage time(s) recommended by the food manufacturers for any kind of food.
- Do not place heavy objects on top of the appliance as they may fall when opening the doors and cause injury.
- The gaps between the doors and refrigerator body are small, do not place your hands in these areas to prevent squeezing your fingers. Please be gentle when opening the refrigerator door to avoid articles falling out.
- Please remove the plug, in cases of power failure or cleaning. Do not re-connect the refrigerator to power supply within five minutes to prevent damage to the compressor due to successive starts.
- Before disposal of the old appliance, make sure that any locking mechanisms have been broken off, doors have been removed but shelves have been left in, so that children cannot easily climb inside. Also remove the plug so the appliance is unusable.
- The plug should be pushed firmly into the socket otherwise fire may be caused.
- Please use a dedicated power socket. The power socket should not be shared with other electrical appliances. The power cord should be plugged firmly into the socket.
- Please ensure that the grounding electrode of the power socket is equipped with a reliable grounding line.
- If gas is leaking, turn off the valve and open doors and windows. Do not unplug the refrigerator and other electrical appliances as this may spark and cause a fire.
- This product is a household refrigerator and is only suitable for the storage of foods. It should not be used for other purposes, such as storage of blood, drugs or biological products.
- Do not disassemble or reconstruct the appliance or damage the refrigerant circuit. Maintenance of the appliance must be conducted by a qualified electrician.
- The appliance may not operate consistently when set for an extended period, as there is a possibility of defrosting or the temperature becoming too warm.
- Carbonated drinks should not be stored in the freezer compartments or in low-temperature compartments as they should not be consumed too cold.
- Prevent an undue rise in temperature by wrapping frozen foods in newspaper while defrosting in the refrigerator.
- A rise in temperature during manual defrosting, maintenance or cleaning could shorten the storage life of foods.
- The keys for any locks fitted should be kept out of the reach of children to prevent them from being locked inside.



WARNING: Keep ventilation openings clear of obstruction.









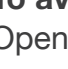
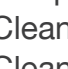
WARNING: Do not use mechanical devices or other means to accelerate the defrosting process.

WARNING: Do not damage the refrigerant circuit.



WARNING: Flammable blowing gas and refrigerant used. Please dispose of the refrigerator according to local regulations.

WARNING: When positioning the appliance, ensure the supply cord is not trapped or damaged.

-  **WARNING:** Do not use electrical appliances inside the food storage compartments or on top of the appliance, unless they are of the type recommended by the manufacturer.
-  **WARNING:** Do not locate multiple portable socket-outlets or portable power supplies at the rear of the appliance.
-  **WARNING:** Do not use with an extension cord or ungrounded two prong adapter.
-  **WARNING:** Connect to potable water supply only (suitable for ice cube maker).
-  **WARNING:** Always unplug the appliance before attempting to move, carry out maintenance or installation of an accessory.
-  **WARNING:** Refrigerant and cyclopentane foaming material used for the appliance are flammable. Therefore, when the appliance is scrapped, it shall be kept away from any fire source and be recovered by a special recovering company with corresponding qualification, to prevent damage to the environment or any other harm.
-  **WARNING:** The appliance is heavy, and care is needed when unpacking and moving it. Get extra help and only hold the appliance by the casing, never hold by the door or the trim.
-  **WARNING:** Risk of child entrapment. Before disposal of refrigerator or freezer, remove the door or lid so that children cannot hide or get trapped inside. Leave any shelves in place so that children may not climb inside. Failure to follow these instructions can result in death or brain damage.
-  **WARNING:** Risk of fire / flammable materials.
-  **WARNING:** To avoid hazards caused by instability, the appliance should be installed correctly as per the instructions.

To avoid contamination of food, pay attention to the following:

Opening the door for long periods can cause a significant increase of the temperature in the compartments of the appliance.

Clean regularly surfaces that can come in to contact with food and accessible drainage systems. Clean water tanks if they have not been used for 48 hours; flush the water system connected to a water supply if water has not been drawn for 5 days.

Store raw meat and fish in suitable containers in the refrigerator so that it is not in contact with or cannot drip onto other food items.

Two-star frozen-food compartments are suitable for storing pre-frozen food, storing, or making ice-cream and making ice cubes.

One, two and three-star compartments are not suitable for the freezing of fresh food.

If the refrigerating appliance is left empty for long periods, switch off and defrost. Clean, dry and leave the door open to prevent mould from developing within the appliance.

Positioning of Food

The table below contains general guidelines on the storage of food in the appliance.

Refrigerator Location	Type of Food
Fridge door	Foods with natural preservatives, such as jams, juices, drinks, condiments. Do not store perishable foods.
Crisper bin (salad drawer)	Fruit, herbs, and vegetables should be placed separately in the crisper bin. Do not store bananas, onions, potatoes or garlic in the refrigerator.
Fridge shelf - bottom chiller bin	Raw meat, poultry, fish (for short-term storage).
Fridge shelf - middle	Dairy products, eggs.
Fridge shelf - top	Foods that do not need cooking, such as ready-to-eat foods, deli meats and leftovers.
Freezer drawer/shelf	Foods for long-term storage. Bottom drawer/shelf for raw meat, poultry, fish. Middle drawer/shelf for frozen vegetables, chips. Top drawer/shelf for ice cream, frozen fruit, frozen baked goods.

- To reduce moisture and subsequent ice build-up, never put liquid into the refrigerator in unsealed containers.
- Never put warm foods in the refrigerator. These should first be cooled at room temperature and then be placed in the refrigerator ensuring adequate air circulation.
- Foods or food containers should not touch the back wall of the refrigerator as they could freeze to the wall.
- Avoid opening the door unnecessarily or for long periods of time.
- Packaged meat and fish can be placed in the refrigerator but should be used within 1–2 days.
- Fruit and vegetables without packaging can be placed in the crisper draw.

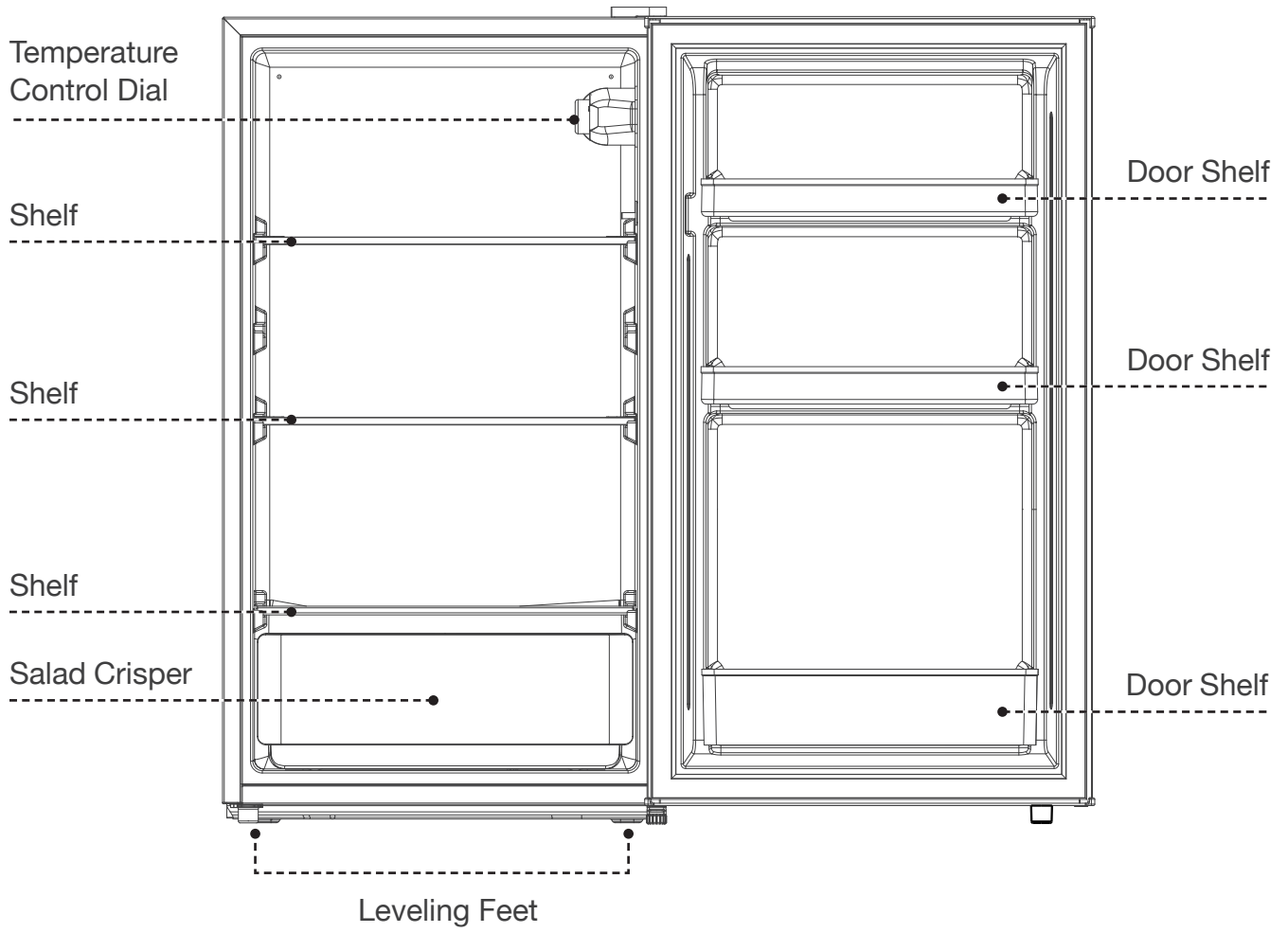
TECHNICAL SPECIFICATION

Supplier Name / Trade Mark	Statesman
Model Number	UC47LFW
Category Type	Refrigerator with one or more fresh-food storage compartments
Energy Efficiency Class	E
Annual Energy Consumption	86kWh/year
Fridge Storage Volume (Litre) and Applicable Star Rating Compartment	93L
Freezer Storage Volume (Litres)	N/A
Refrigeration System (Frost Free, Static, Totally No Frost)	Static
Temperature Rise Time (-18°C to -9°C)	N/A
Climate Class	ST/N
This appliance is intended to be used at an ambient temperature between 16°C and 38°C	
Noise Emission (dB)	40dB
Built-In Appliance	N/A
Wine Storage Appliance	N/A
Voltage (V)	AC220-240V
Wattage Power (W)	132W
Frequency (Hz)	50Hz
Power Source	AC

Ambient Room Temperature Limits

Class	Symbol	Ambient average temperature °C
Extended temperature	SN	+10 to +32
Temperature	N	+16 to +32
Subtropical	ST	+16 to +38
Tropical	T	+16 to +43

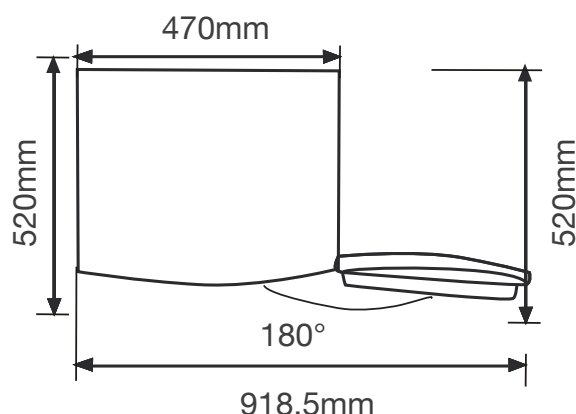
APPLIANCE OVERVIEW



INSTALLATION

Location and Air Circulation

- The appliance must stand vertically on a flat, even surface. It is not recommended to stand the appliance on a carpeted surface.
- To level the appliance, use the levelling feet by turning them until the appliance is as level as possible, see the 'Levelling Feet' section.
- The refrigerator should be placed indoors in a dry, well-ventilated space.
- Before use all packing materials should be removed, including foam pads and tapes inside the refrigerator. Tear off protective film from the door and refrigerator body.
- This appliance has been designed to operate in ambient temperatures between 16°C and 38°C.
- The appliance may not operate properly at temperatures outside of this range.
- The product is designed to operate normally in the temperature range specified by its class rating. You can find the climate class on the product label.
- It is not recommended to place the appliance in a room where the temperature is likely to drop below 16°C for prolonged periods, as the internal appliance temperature will not be maintained.
- The appliance should be at least 50cm away from sources of heat e.g. radiators, direct sunlight, gas ovens, stoves and at least 5cm away from electric cookers, as extreme temperatures will affect the performance of the appliance.
- It is not recommended to place the appliance directly against the wall. Allow at least 10cm of clearance space between the rear of the appliance and the rear wall.
- Allow 10cm of clearance space to the sides of the appliance and 30cm above the appliance.
- It is not recommended to place the appliance next to a deep freezer, there should be at least 2cm between them to prevent humidity or condensation on the outer surface.
- Do not expose the appliance to damp conditions, open air or rain.
- Do not place in a location where it is moist or damp or the refrigerator can be splashed with water.
- Do not lift the appliance by the pipes or the door when moving.
- It is not recommended to place the appliance in a wall recess, fitted cabinet or furniture, as this will not allow adequate ventilation and could be a potential fire hazard.
- Enough space should be left to be able to open the door and drawers.



Providing you follow the recommended ventilation requirements you will:

- Increase the life of the appliance.
- Minimise the risk of condensation on the outside of the appliance.
- Minimise operating noises caused by vibration.

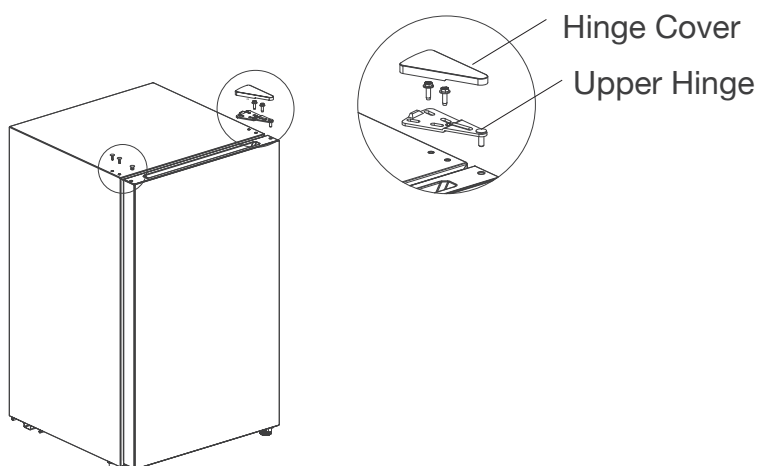
Reversing the Door

The appliance door can be fitted to open on either the left or the right side, depending on its location. The appliance will need to be tilted and supported to carry out this procedure. It is advisable to have help during this process.

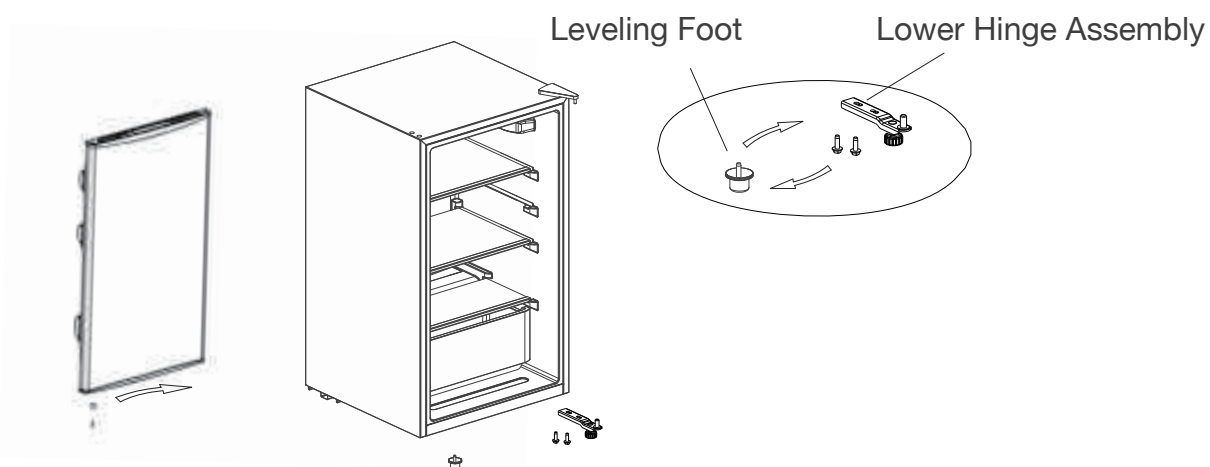
To change the direction of the door, please follow the below instructions:

Important: Do not lay the appliance flat as this may damage the coolant system. Take care when fitting and tightening screws.

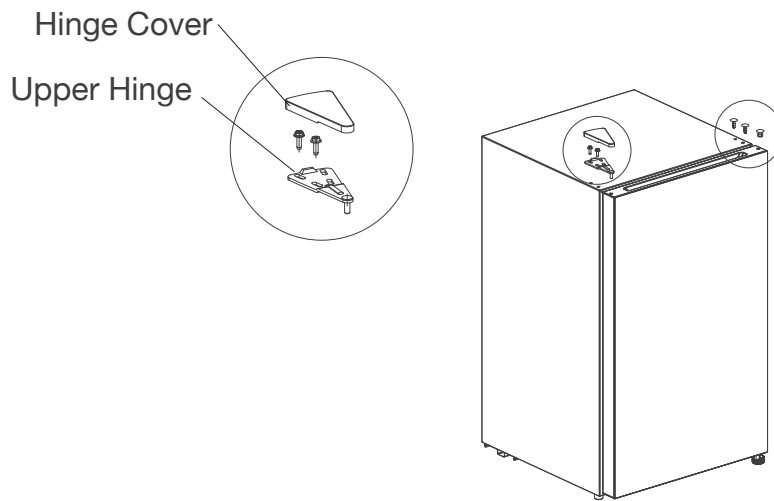
1. Power off the refrigerator and remove all articles from the door and shelves.
2. Remove the top hinge cover, then remove the top hinge screws, top hinge and the hole caps which are fixed onto the other side.



3. Remove the refrigerator door, and then remove the bottom hinge screws and hinge. Then remove the levelling foot from the base on the opposite side.
4. Exchange the fixed position of the levelling foot and the bottom hinge, and then re-fix into position.



5. Remove the stopper from the base of the refrigerator door. Move to the other side of the door and fix into place.
6. Replace the door onto the lower hinge.
7. Fix the top hinge into place and replace the hinge cover on the top. Fix the hole caps into place on the opposite side, as pictured below.



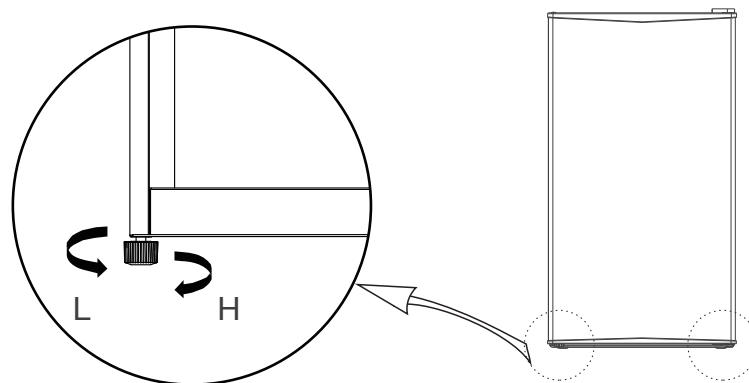
Levelling Feet

If the unit is not level, the door and magnetic seal alignments will not enclose properly.

Caution: Before adjusting the levelling feet, the refrigerator should be disconnected from the power. Precautions should be taken to prevent any personal injury.

To adjust levelling feet:

- a. Turn the feet clockwise to raise the refrigerator.
- b. Turn the feet counter clockwise to lower the refrigerator.
- c. Adjust the right and left feet based on the procedures above until the appliance is as level as it can be.



OPERATING INSTRUCTIONS

Before Using Your Appliance

- Remove all packing materials, including foam pads and tapes from inside the refrigerator. Tear off the protective film from the door and the refrigerator body.
- Allow 4 hours for the appliance to stand upright before turning on to allow coolant gases time to settle once the appliance is in place.
- Once turned on allow the appliance at least 24 hours before storing any food inside, to allow for the sufficient cooling temperature to be reached.
- The interior of the appliance needs to be cleaned prior to use. This should be done using a soft cloth and warm water. Wipe the appliance completely dry before replacing any shelves or drawers.

Using Your Appliance

- Once dry, plug the appliance into the mains power socket.
- Avoid opening the door unnecessarily and for long periods of time.
- To maintain adequate air circulation, do not over fill the appliance.
- Allow hot or warm foods to cool to room temperature before storing in the appliance.
- For hygiene reasons, always wrap food using a suitable packaging material before storing in your appliance to avoid direct contact with the surfaces.
- Keep food packed, wrapped, or covered.
- Do not place food directly against the rear wall of the fridge compartment.
- The temperature in the appliance's compartments can be monitored by using a fridge freezer thermometer. Do not use a Mercury filled thermometer, as a breakage would cause a health hazard.

Setting the Temperature

- The ideal internal temperature of your appliance should be between 0°C to 5°C. This is regulated by the temperature control located internally at the top of the appliance.
- Turn the temperature control dial counter-clockwise to increase the temperature inside the refrigerator. Turn the dial clockwise to lower the temperature inside the refrigerator.
- Avoid setting the thermostat too high, as this may reduce the temperature to a point where some food begins to freeze. If this happens turn down the thermostat slightly.
- The temperature control dial should be set between 'Cool' and 'Colder'
- The recommended setting is 'Normal'
- When turned to 'off' position, the appliance will stop running.

Energy Saving Tips

- Do not put hot/warm objects and food anywhere in the refrigerator.
- Don't pack food close together as this prevents the air from circulating.
- Make sure food doesn't touch the back of the compartments.
- If the electricity goes off, don't open the door.
- Don't open the door frequently or for a prolonged period.
- Don't set the thermostat to exceedingly cold temperatures.
- All accessories, such as drawers, shelves, etc, should be kept in place to help maintain lower energy consumption.
- Allow warm food to cool before placing it in the refrigerator.
- Allow frozen food to defrost in the fridge. The coldness of the frozen food will reduce the energy consumption of the compartment.
- The door seals of your appliance should be in good condition so that the door closes properly.

CLEANING AND MAINTENANCE

Cleaning the Interior

Caution: Switch off the electrical supply and remove the plug from the power socket before cleaning.

Before First Use

Before using the appliance for the first time, wash the interior and all internal accessories with lukewarm water and some neutral soap, to remove the typical smell of a brand-new product, then dry thoroughly.

Note: For hygiene reasons the interior of the appliance, including accessories, should be cleaned regularly.

1. Remove all food from the appliance and cover to help keep cool.
2. Remove all the shelves and salad drawer carefully from the appliance and wash in warm clean water use a soft cloth to dry thoroughly. Never replace the shelves or salad drawer into the appliance when wet.
3. Use a soft cloth or sponge to clean the inside of the refrigerator, with two tablespoons of baking soda and a quart of warm water. Rinse with clean water and then dry thoroughly.
4. For areas that are difficult to clean (such as narrow gaps or corners), it is recommended that these are cleaned regularly with a soft cloth, soft brush, etc. to ensure there is no accumulation of residue in these areas.
5. Open the door and allow the interior to dry naturally before replacing the shelves and salad drawer.
6. Plug in and switch on, allow the appliance to drop back to an adequate temperature before replacing the food.

Caution: Avoid getting water into the electric components of the appliance i.e., the thermostat, as this may damage your appliance.

Exterior

1. Use a clean, soft cloth dampened in soapy water to wipe the exterior surface of the appliance and then dry thoroughly.
2. Use a vacuum cleaner to remove dust from underneath the appliance and from around the compressor, which is situated at the back of the appliance. Do this regularly to maintain adequate ventilation. Use caution not to damage the coolant system.

Important: Do not use abrasive cloths, powders, household cleaners, bleach, or wax polish to clean the appliance as these can leave a smell in the appliance and can damage the exterior.

Door Seal

Check the door seal regularly to make sure there is no debris. Use a clean, damp soft cloth to wipe the door seal and in between the creases. Avoid damaging the door seal as this will affect the performance of your appliance.

Long Term Non-Use

Switch off and remove the plug from the power socket ensuring not to pull the cord. Remove any food and follow the cleaning instructions in the 'Cleaning and Maintenance' section. Leave the door ajar as this will prevent odours and mould from accumulating and will allow the appliance to dry completely.

Power Failure

Foods can be kept for several hours during a power failure. Keep the appliance door closed to maintain the temperature inside and do not add further fresh food.

Moving the Appliance

Before the appliance is moved all items should be taken out and the plug switched off and removed from the power socket. Fix the glass shelves, salad drawer with tape, and tighten the levelling feet. Close the door and fix with tape.

The appliance should be moved carefully by two or more people. During moving, the appliance should not be laid upside down or horizontally, the appliance should not be shaken and the inclination during movement should not be more than 45°.

Operating Sound

The cooling gas which circulates in the cooling circuit may make a slight noise (bubbling sound) even when the compressor is not running. Do not worry this is quite normal.

If these sounds are different check that:

- The appliance is level.
- Nothing is touching the back of the appliance.
- The contents of the appliance is not vibrating.

Changing the Bulb

Any replacement or maintenance of the LED lamps is intended to be made by the manufacturer, its service agent or similar qualified person.

TROUBLESHOOTING

If you are having problems with your appliance, please use our troubleshooting guide below. If you are unable to resolve the issue using this guide please ring our Customer Service Department on 01473 277 508. Please have the model code and purchase information available.

Problem	Possible Cause	Solution
The appliance does not work	Mains plug is not plugged in or is loose.	Insert mains plug securely.
	Fuse has blown or is defective.	Check the fuse, replace if necessary.
	Socket is defective.	Mains malfunctions are to be corrected by an electrician.
	Temperature is not properly adjusted.	Please look in the 'Setting the temperature' section.
There is some frost build up in the appliance	Some frost can form due to a change of temperature.	This can be manually removed by wiping with a dry towel.
The food is too warm	Door was open for an extended period.	Open the door only for as long as necessary.
	A large quantity of warm food was placed in the appliance within the last 24 hours.	Turn the temperature Control Dial to a colder setting temporarily.
	The appliance is near a heat source.	Please look in the 'Installation' section.
	Temperature is set too cold.	Change the Temperature setting to a warmer setting temporarily.
The compressor has been on for a long time	The ambient temperature is too high.	Reduce the amount of food in the appliance.
	Foods should be cool when they are put into the appliance.	Allow food to cool before placing into the appliance.
	The door is opened too frequently.	Avoid opening the door unnecessarily or for long periods of time.
Appliance cools too much	The appliance is not level.	Re-adjust the levelling feet.
The door does not close properly	There is too much food in the refrigerator.	Reduce the amount of food stored in the refrigerator.
	The appliance is not level.	Adjust the levelling feet to level the appliance. See 'Levelling Feet' section.

Problem	Possible Cause	Solution
Unusual noises	The appliance is touching the wall or other objects.	Move the appliance slightly (see the 'Installation' section).
	A component, e.g. a pipe, on the rear of the appliance is touching another part of the appliance or the wall.	If necessary, carefully bend the pipe out of the way or move the appliance slightly.
There is excessive water inside the refrigerator	The is too much food in the refrigerator.	Reduce the amount of food stored in the refrigerator.
	The door is not closed properly.	Close the door firmly.
There is condensation on the exterior surface	This is normal when the ambient humidity is too high.	Wipe the condensation with a soft, clean towel or cloth.
Side panels are hot	This is normal. Heat exchange parts are in the sides of the appliance.	Use gloves to touch sides.

SPECIAL FOR NEW EUROPEAN STANDARD

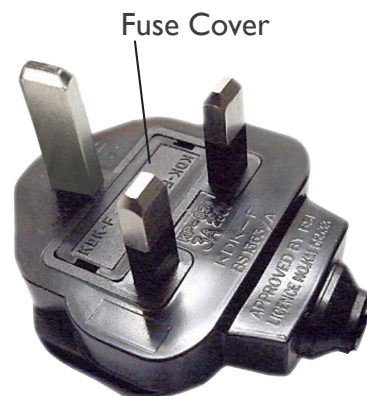
The parts below can be obtained from the manufacturer or it's service agent.

Ordered Part	Provided by	Minimum Time Required for Provision
Thermostats	Professional maintenance personnel	At least 7 years after the last model is launched on the market At least 10 years after the
Temperature Sensors	Professional maintenance personnel	At least 7 years after the last model is launched on the market At least 10 years after the
Printed Circuit Boards	Professional maintenance personnel	At least 7 years after the last model is launched on the market At least 10 years after the
Light Bulbs	Professional maintenance personnel	At least 7 years after the last model is launched on the market At least 10 years after the
Door Handles	Professional maintenance personnel	At least 7 years after the last model is launched on the market At least 10 years after the
Door Hinges	Professional maintenance personnel	At least 7 years after the last model is launched on the market At least 10 years after the
Shelves/Trays	Professional maintenance personnel	At least 7 years after the last model is launched on the market At least 10 years after the
Baskets	Professional maintenance personnel	At least 7 years after the last model is launched on the market At least 10 years after the
Door Seals	Professional maintenance personnel	At least 7 years after the last model is launched on the market At least 10 years after the

The model information and model identification in the product database can be obtained by scanning the QR code on the products energy efficiency label.

FUSE REPLACEMENT (CLASS I)

This appliance must be earthed. Remove the fuse cover with a small flat head screw driver. Take out the fuse and replace with a new fuse of the same Amp. Replace the fuse cover and push back into place.



DISPOSAL

The European Directive 2012/19/EU on Waste Electrical and Electronic Equipment (WEEE), requires that old household electrical appliances must not be disposed of in normal unsorted municipal waste.

Old appliances must be collected separately in order to optimise the recovery and recycling of the materials they contain and reduce the impact on human health and the environment.

The crossed out “wheeled bin” symbol on the product reminds you of your obligation, that when you dispose of the appliance it must be separately collected. Consumers should contact their local authority or retailer for information concerning the correct disposal of their old appliance.



STATESMAN
kitchen appliances

UK Address: 38 Bluestem Road, Ransomes Europark, Ipswich, IP3 9RR
EU Address: Castle Electrical Factors Ltd., Dundalk, A91 KA9R, IR

01473 277 508